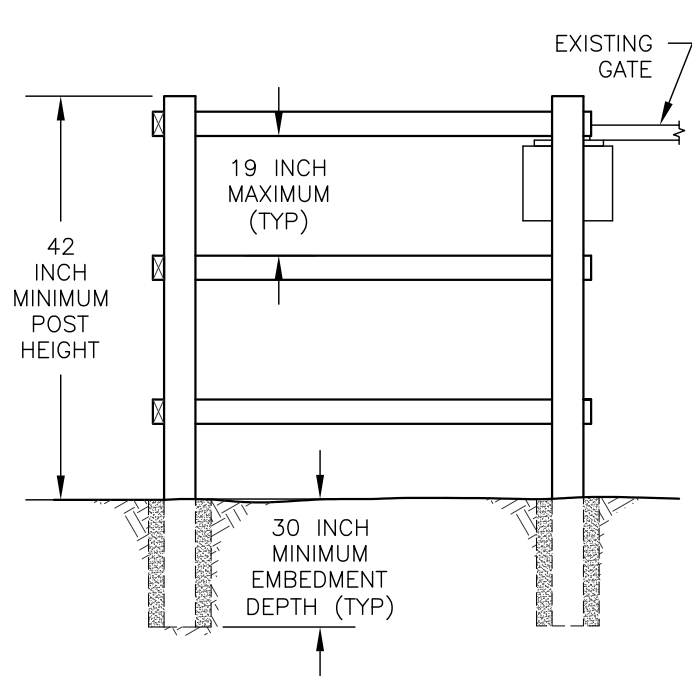


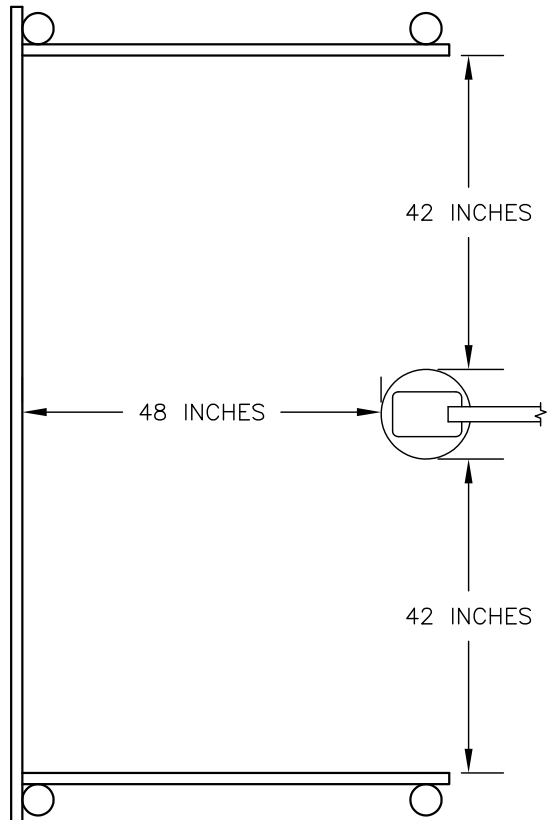
ACCESSIBLE GATES CHICANES

TYPICAL ID	SECTION TYPE	MATERIAL TYPE	POST			RAILS		SPECIES	PRESERV. TYPE	COMMENTS
			HEIGHT	EMBEDMENT DEPTH	MATERIAL DIMENSION	MATERIAL DIMENSION				
CHI-1		M			X	X				

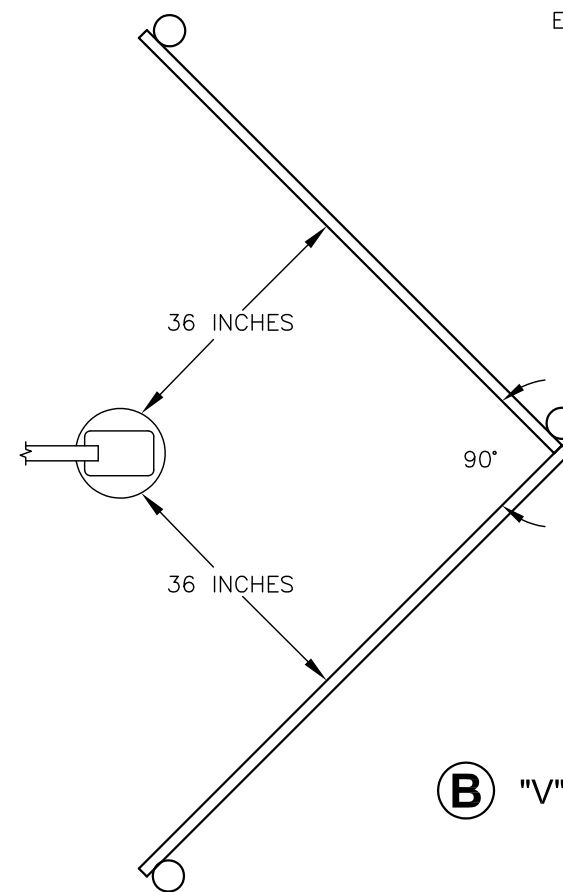


ELEVATION VIEW

A "U" CHICANE SECTION

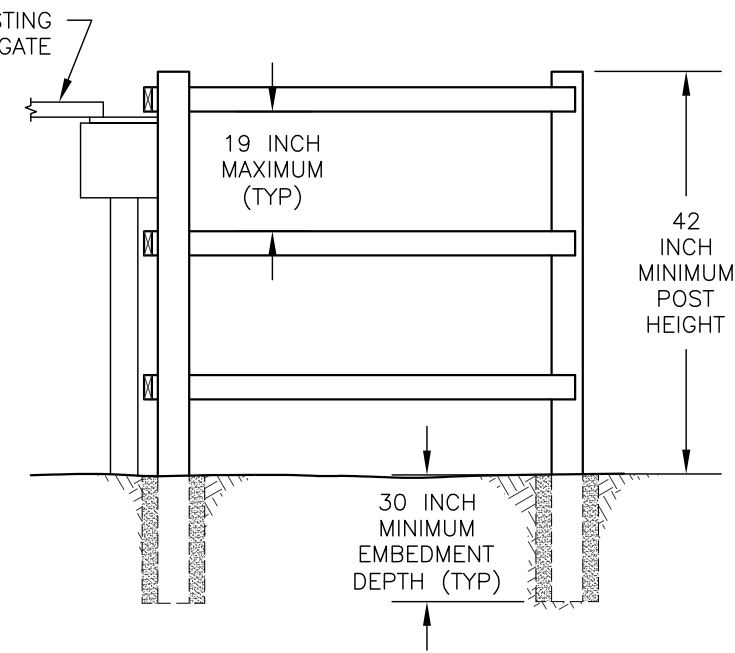


PLAN VIEW



PLAN VIEW

B "V" CHICANE SECTION



ELEVATION VIEW

FENCE MATERIAL TYPE

TYPE	MATERIAL	COMMENTS
M1	SAWN TIMBER	
M2	LOG	
M3	METAL PIPE	
M4		

NOTES:

1. REMOVE AND DISPOSE OF DUFF AND TOP ORGANIC LAYERS DOWN TO MINERAL SOIL.
2. COMPACT BACKFILL IN 6 INCH LIFTS UNTIL NO VISUAL DISPLACEMENT.

PRESERVATIVE TREATMENT - (REFER TO AWPA USE CATEGORY SYSTEM)			
PRESERVATIVE TYPE	TREATMENT TYPE	USE CATEGORY	COMMENTS
P1	WB	UC4A	
P2	WB	UC3B	
P3			

TREATMENT TYPE
WB = WATERBORNE
OT = OIL-BORNE

USE CATEGORY
UC3B = ABOVE GROUND - EXPOSED
UC4A = GROUND CONTACT - GENERAL USE
UC4B = GROUND CONTACT - HEAVY DUTY