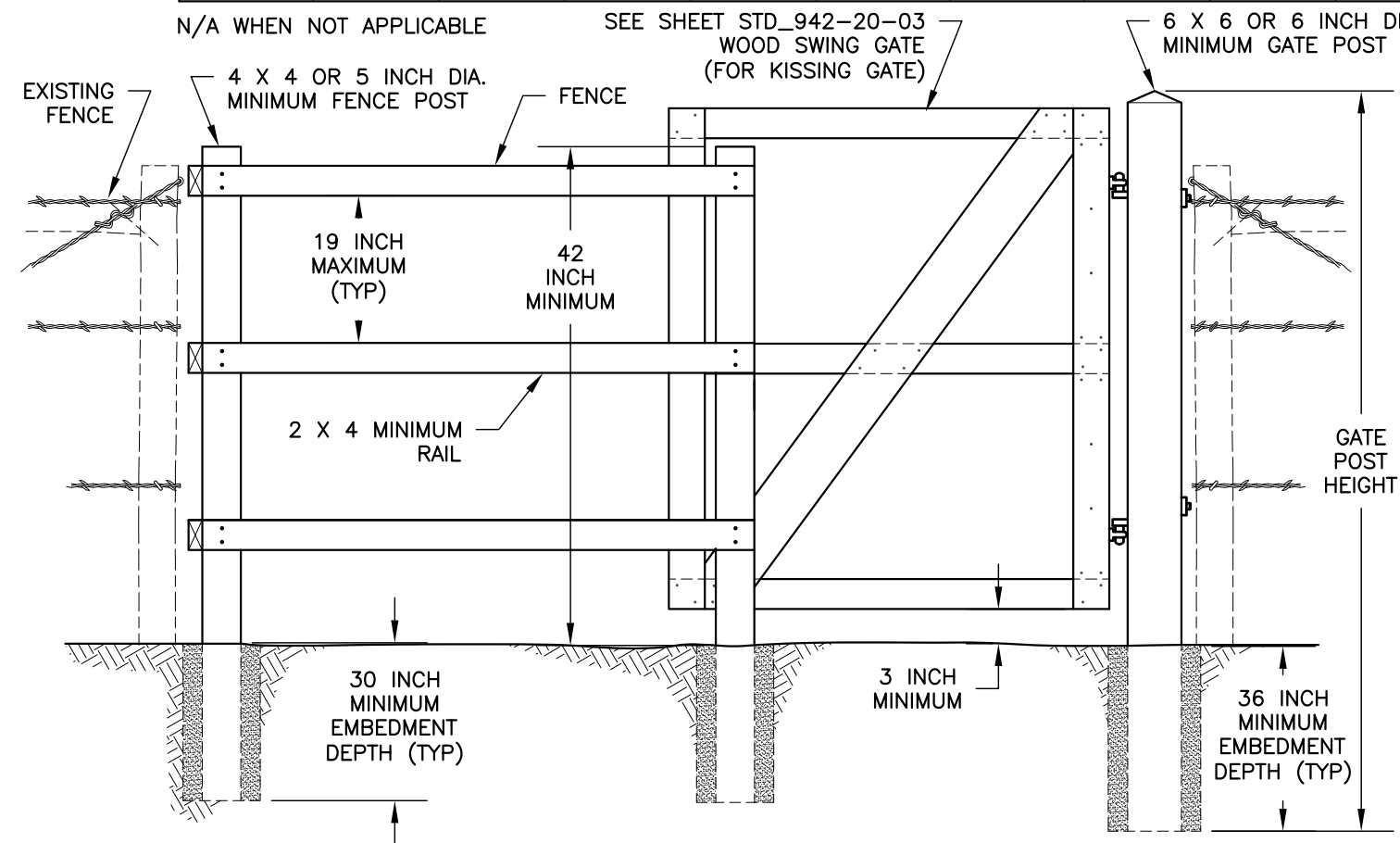
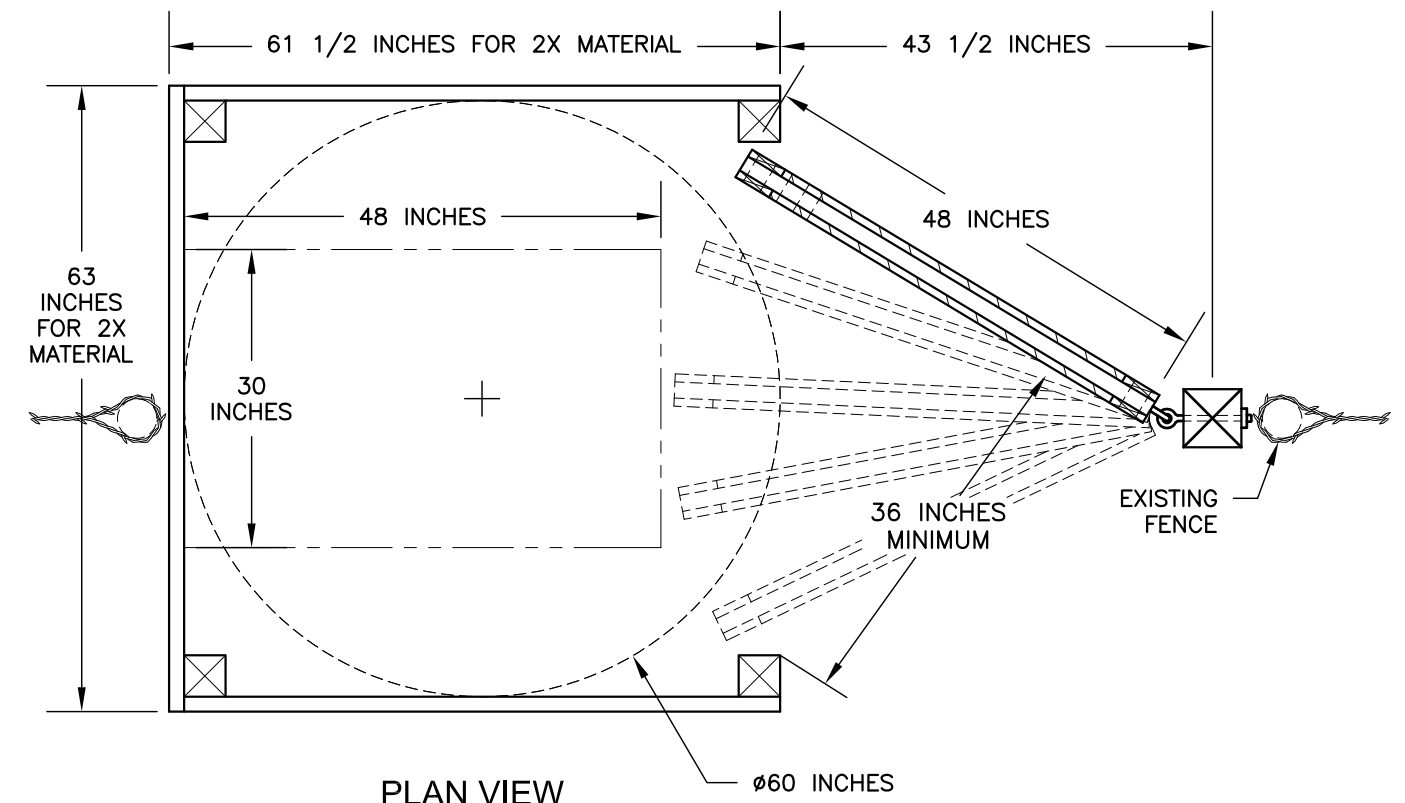


# ACCESSIBLE KISSING GATE

| TYPICAL ID | MATERIAL TYPE | FENCE     |           |                      |         |               | GATE   |           |                      |         |               | COMMENTS |
|------------|---------------|-----------|-----------|----------------------|---------|---------------|--------|-----------|----------------------|---------|---------------|----------|
|            |               | RAIL SIZE | POST SIZE | POST EMBEDMENT DEPTH | SPECIES | PRESERV. TYPE | HEIGHT | POST SIZE | POST EMBEDMENT DEPTH | SPECIES | PRESERV. TYPE |          |
|            | M             | X         | X         |                      |         | P             |        |           |                      |         | P             |          |
|            |               |           |           |                      |         |               |        |           |                      |         |               |          |
|            |               |           |           |                      |         |               |        |           |                      |         |               |          |
|            |               |           |           |                      |         |               |        |           |                      |         |               |          |
|            |               |           |           |                      |         |               |        |           |                      |         |               |          |
|            |               |           |           |                      |         |               |        |           |                      |         |               |          |
|            |               |           |           |                      |         |               |        |           |                      |         |               |          |
|            |               |           |           |                      |         |               |        |           |                      |         |               |          |
|            |               |           |           |                      |         |               |        |           |                      |         |               |          |



ELEVATION VIEW



PLAN VIEW

**FENCE MATERIAL TYPE**

| TYPE | MATERIAL    | COMMENTS |
|------|-------------|----------|
| M1   | SAWN TIMBER |          |
| M2   | LOG         |          |
| M3   | METAL PIPE  |          |
| M4   |             |          |

- NOTES:**
- REMOVE AND DISPOSE OF DUFF AND TOP ORGANIC LAYERS DOWN TO MINERAL SOIL.
  - COMPACT BACKFILL IN 6 INCH LIFTS UNTIL NO VISUAL DISPLACEMENT.

| PRESERVATIVE TREATMENT - (REFER TO AWPA USE CATEGORY SYSTEM) |                |              |          |
|--|----------------|--------------|----------|
| PRESERVATIVE TYPE  | TREATMENT TYPE | USE CATEGORY | COMMENTS |
| P1   | WB             | UC4A         |          |
| P2   | WB             | UC3B         |          |
| P3   |                |              |          |

|  |  |
|--|--|
| <p><b>TREATMENT TYPE</b></p> <p>WB = WATERBORNE<br/>OT = OIL-BORNE</p> | <p><b>USE CATEGORY</b></p> <p>UC3B = ABOVE GROUND - EXPOSED<br/>UC4A = GROUND CONTACT - GENERAL USE<br/>UC4B = GROUND CONTACT - HEAVY DUTY</p> |
|--|--|