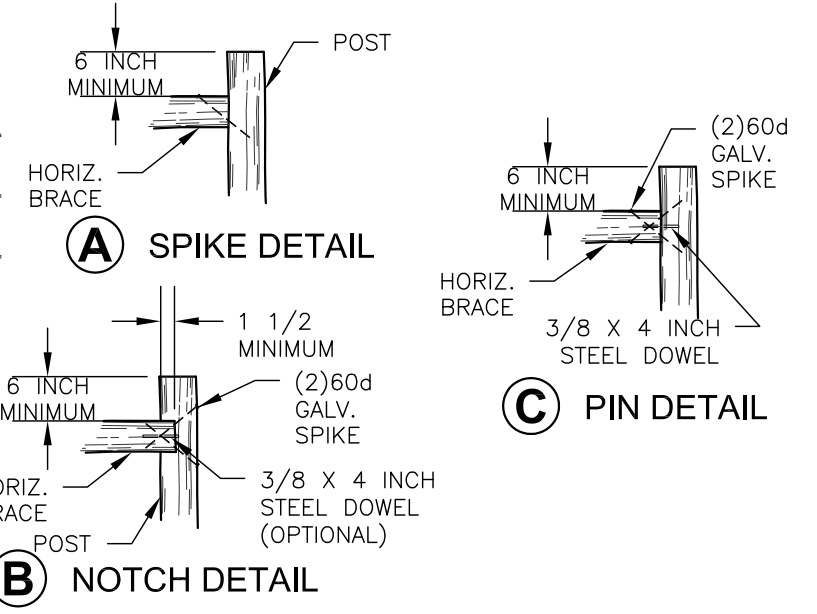
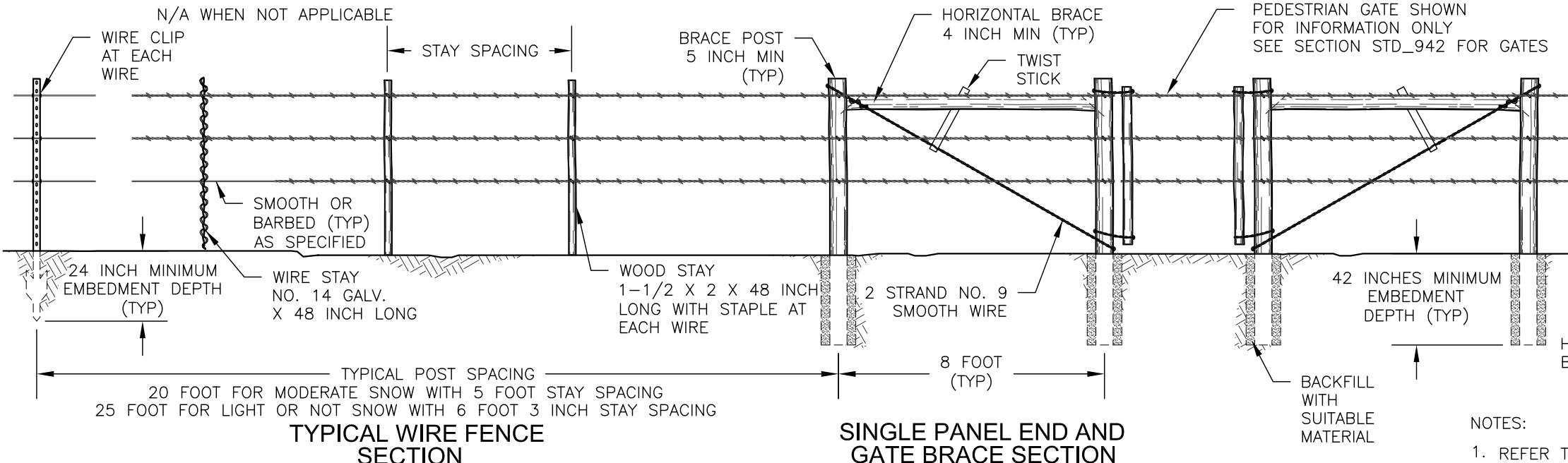
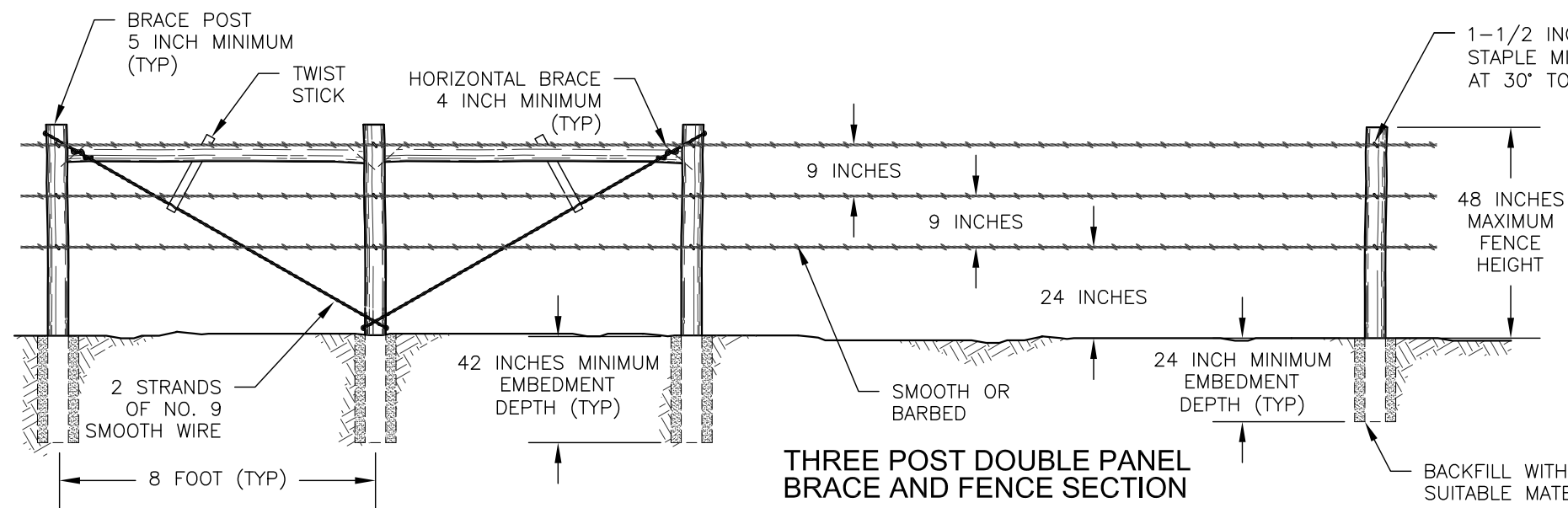


POST AND WIRE FENCE

TYPICAL ID	FENCE		POST					STAYS	HORIZONTAL BRACING				COMMENTS	
	WIRE TYPE	HEIGHT (INCHES)	TYPE	SIZE	LENGTH (FEET)	EMBEDMENT DEPTH	SPACING (FEET)		PRESERV. TYPE	TYPE	SIZE	3-POST SPACING (FEET)		EMBEDMENT DEPTH
PWF-1								P						



- NOTES:
- REFER TO THE PUBLICATION "FENCES" PREPARED BY THE MISSOULA TECHNOLOGY AND DEVELOPMENT CENTER FOR ADDITIONAL CONSTRUCTION DETAILS AND INSTALLATION PROCEDURES.
 - FENCE AND GATE LOCATIONS AS STAKED IN THE FIELD.
 - PRE-DRILL HOLES FOR FASTENERS TO PREVENT SPLITTING OF BRACING OR POSTS.
 - COMPACT AND BACKFILL POST HOLES IN 6 INCH LIFTS UNTIL NO VISUAL DISPLACEMENT.



PRESERVATIVE TREATMENT - (REFER TO AWPA USE CATEGORY SYSTEM)			
PRESERVATIVE TYPE	TREATMENT TYPE	USE CATEGORY	COMMENTS
P1	WB	UC4A	
P2	WB	UC3B	
P3			

TREATMENT TYPE: WB = WATERBORNE, OT = OIL-BORNE

USE CATEGORY: UC3B = ABOVE GROUND - EXPOSED, UC4A = GROUND CONTACT - GENERAL USE, UC4B = GROUND CONTACT - HEAVY DUTY