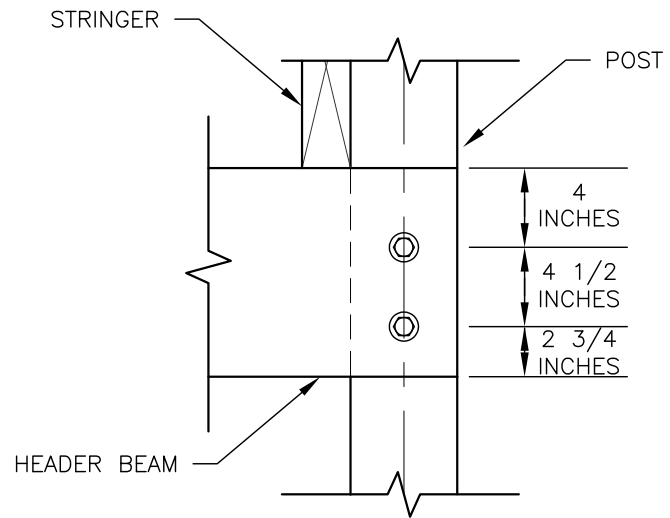
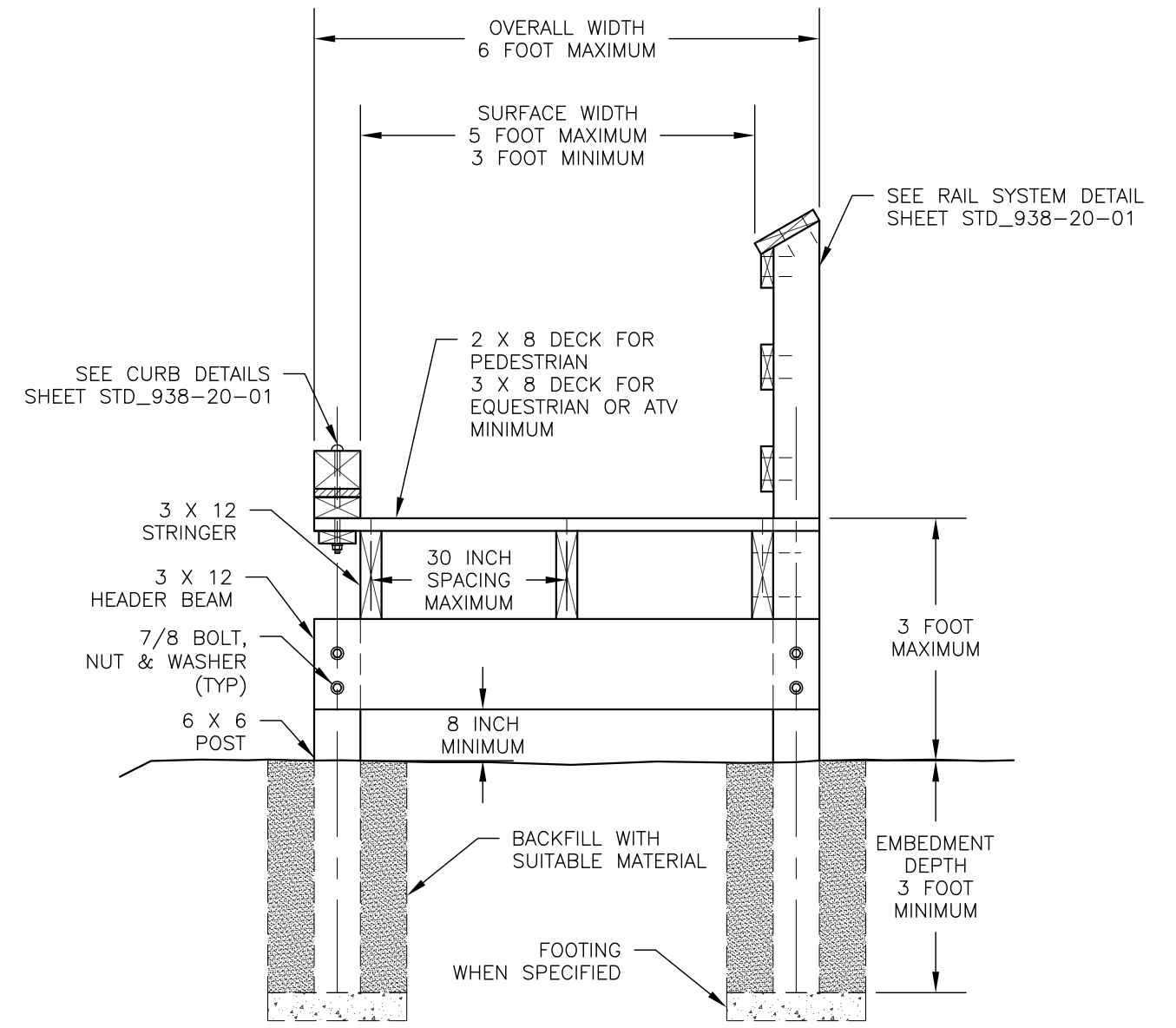


A TYPICAL GROUND SECTION
BLOCKING REQUIRED AT EVERY SUPPORT NOT SHOWN FOR CLARITY



BOLT DETAIL



B TYPICAL ELEVATED SECTION
LESS THAN 3 FEET WITH CURB
BLOCKING REQUIRED AT EVERY SUPPORT NOT SHOWN FOR CLARITY

C TYPICAL ELEVATED SECTION
LESS THAN 3 FEET WITH CURB
BLOCKING REQUIRED AT EVERY SUPPORT NOT SHOWN FOR CLARITY