

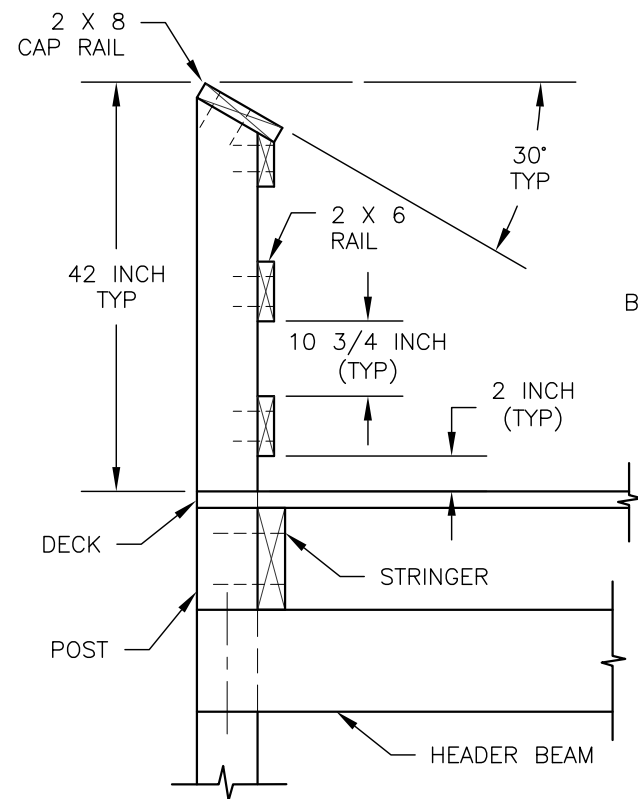
# ELEVATED BOARDWALK

TYPICAL ID	SECTION TYPE	OVERALL WIDTH	SURFACE WIDTH	FOOTING MATERIAL			POST/SILLS/BACKWALLS				HEADER BEAM/STRINGERS/DECK/CURB/RAILING SYSTEM			COMMENTS
				TYPE	DEPTH	WIDTH	POST HEIGHT	POST EMBEDMENT DEPTH	SPECIES	PRESERV. TYPE	DECK SIZE	SPECIES	PRESERV. TYPE	
SBW-1				F									P	

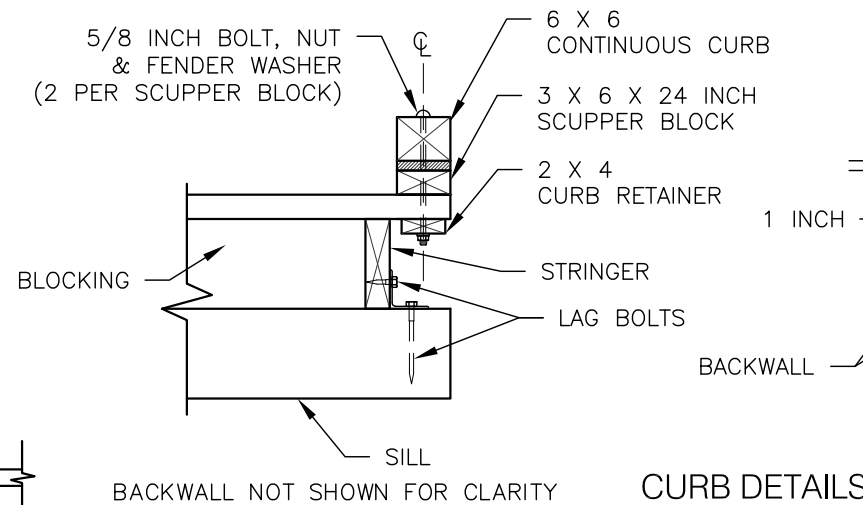
N/A WHEN NOT APPLICABLE

## NOTES:

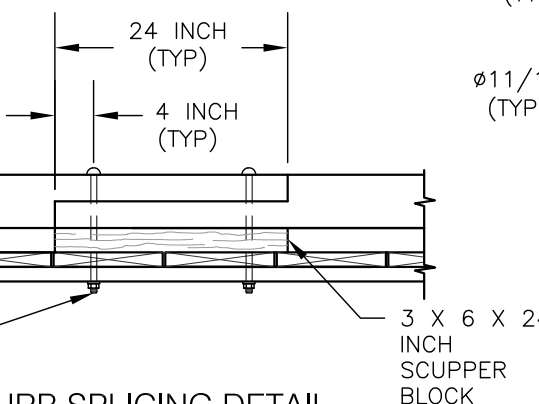
- DESIGN LOAD: 100 PSF PEDESTRIAN LOAD.
- ALL MATERIAL TYPE SHALL BE DOUGLAS FIR OR SOUTHERN PINE NO. 2 OR BETTER AS SPECIFIED IN THE ABOVE TABLE.
- ALL FASTENERS SHALL BE GALVANIZED.
- FASTENERS:  
 DECKING: 60d 6 INCH RING SHANK NAILS OR DECK SCREWS 2 PER DECK STRINGER CONNECTION.  
 RAILING: NO. 10 X 4 INCH LONG WOOD SCREWS 2 PER RAIL POST CONNECTION.  
 STRINGERS & BACKWALLS: 40d 5 INCH LONG RING SHANK NAILS.
- ALTERNATIVE FOR 7/8 BOLTS FOR HEADER BEAM IS BRACKET WITH AN ALLOWABLE LOAD OF 1100 LBS EACH SIDE.



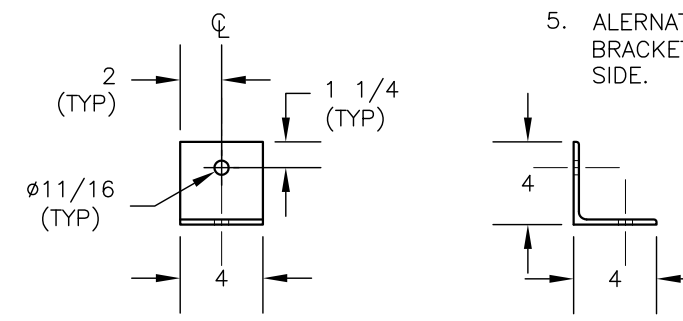
RAIL SYSTEM DETAIL



CURB DETAILS



CURB SPICING DETAIL



BRACKET DETAIL

## FOOTING MATERIAL

TYPE	MATERIAL	GRADATION	COMMENTS
FT1	CONCRETE		
FT2	AGGREGATE		
FT3			

PRESERVATIVE TREATMENT - (REFER TO AWPA USE CATEGORY SYSTEM)			
PRESERVATIVE TYPE	TREATMENT TYPE	USE CATEGORY	COMMENTS
P1	WB	UC4A	
P2	WB	UC3B	
P3			

TREATMENT TYPE  
 WB = WATERBORNE  
 OT = OIL-BORNE

USE CATEGORY  
 UC3B = ABOVE GROUND - EXPOSED  
 UC4A = GROUND CONTACT - GENERAL USE  
 UC4B = GROUND CONTACT - HEAVY DUTY

SHEET 1 OF 4



PROJECT NAME & LOCATION

DRAWING NAME  
**ELEVATED BOARDWALK**  
 SECTION  
 938 - BOARDWALKS  
 TYPICAL ID  
 EB1

REVISION DATE  
 XX/XX/XX  
 NO SCALE

DRAWING NO.  
**STD\_938-20-01**  
 SHEET  
 OF