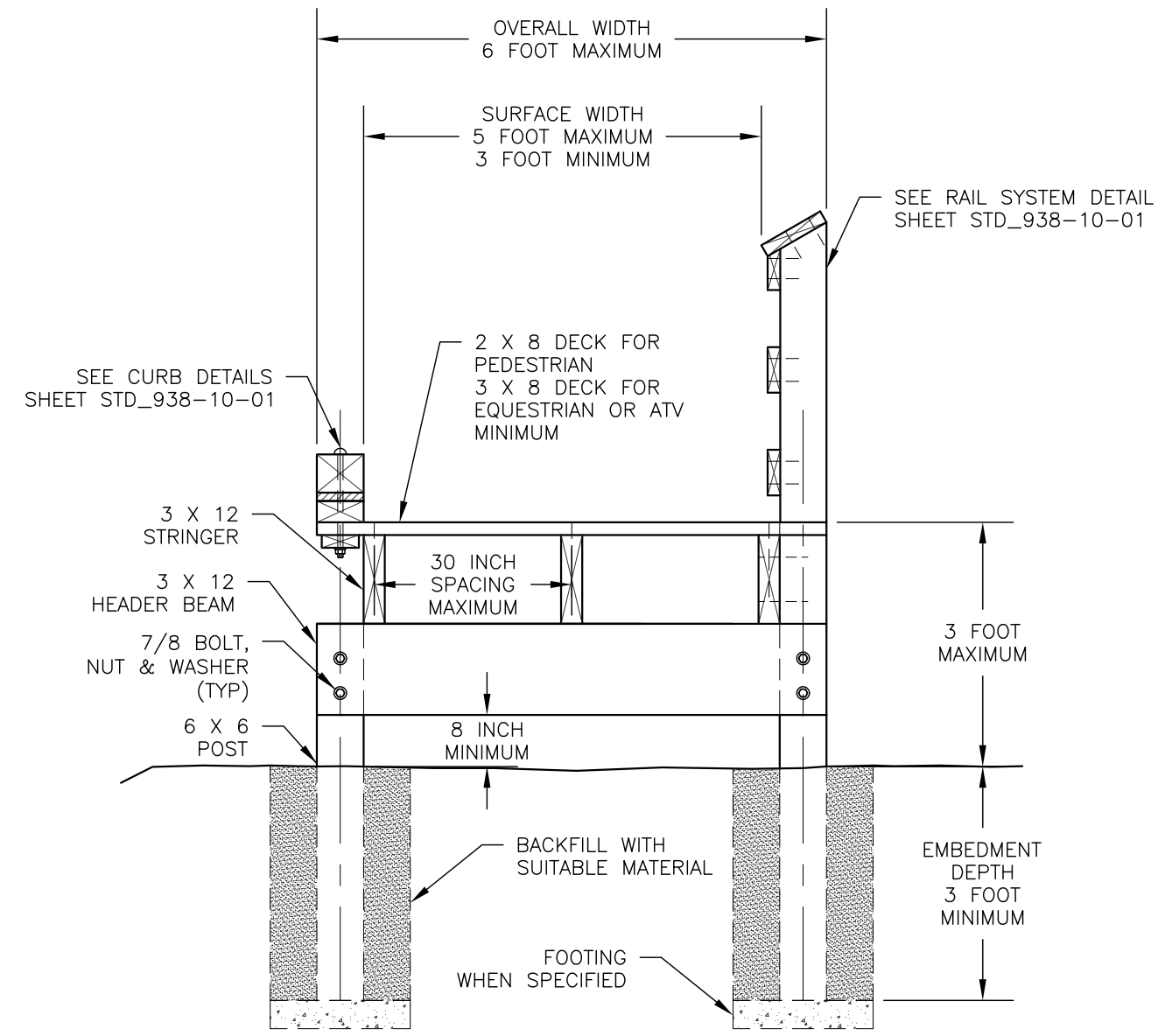
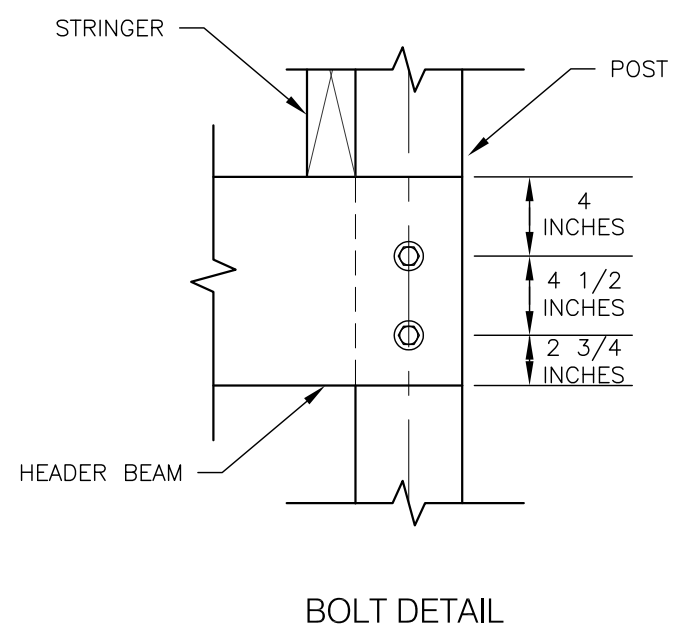


**A** TYPICAL GROUND SECTION  
BLOCKING REQUIRED AT EVERY SUPPORT NOT SHOWN FOR CLARITY



**B** TYPICAL ELEVATED SECTION  
LESS THAN 3 FEET WITH CURB  
BLOCKING REQUIRED AT EVERY SUPPORT NOT SHOWN FOR CLARITY

**C** TYPICAL ELEVATED SECTION  
LESS THAN 3 FEET WITH CURB  
BLOCKING REQUIRED AT EVERY SUPPORT NOT SHOWN FOR CLARITY