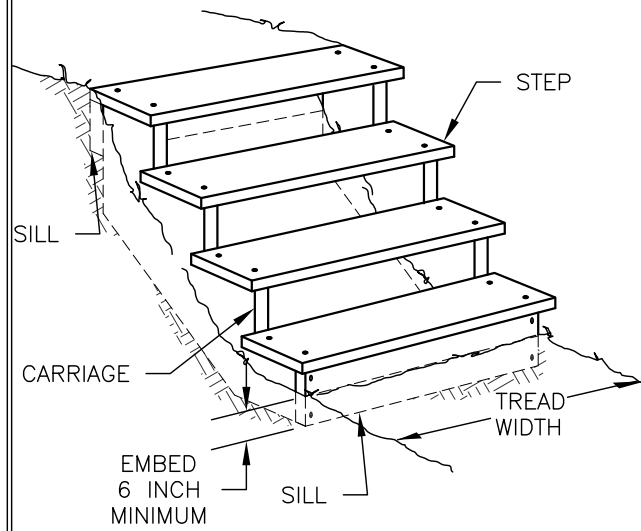
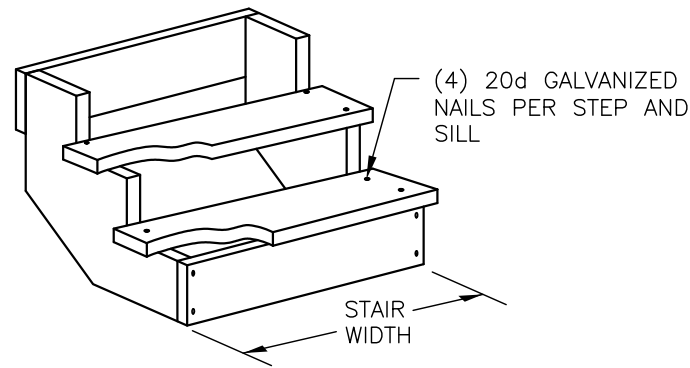


# STAIRCASE

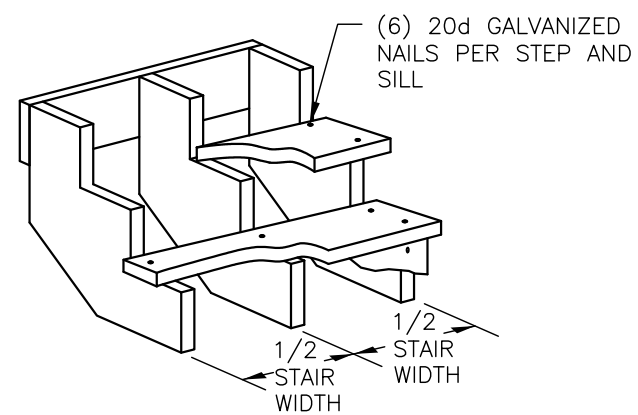


TYPICAL ID	SPAN	CARRIAGE		SILL	STEP			SPECIES	PRESERV. TYPE	COMMENTS
		NO. OF CARRIAGES	MATERIAL DIMENSION	MATERIAL DIMENSION	WIDTH	MATERIAL DIMENSION	RUN			
STC-1			X	X		X			P	



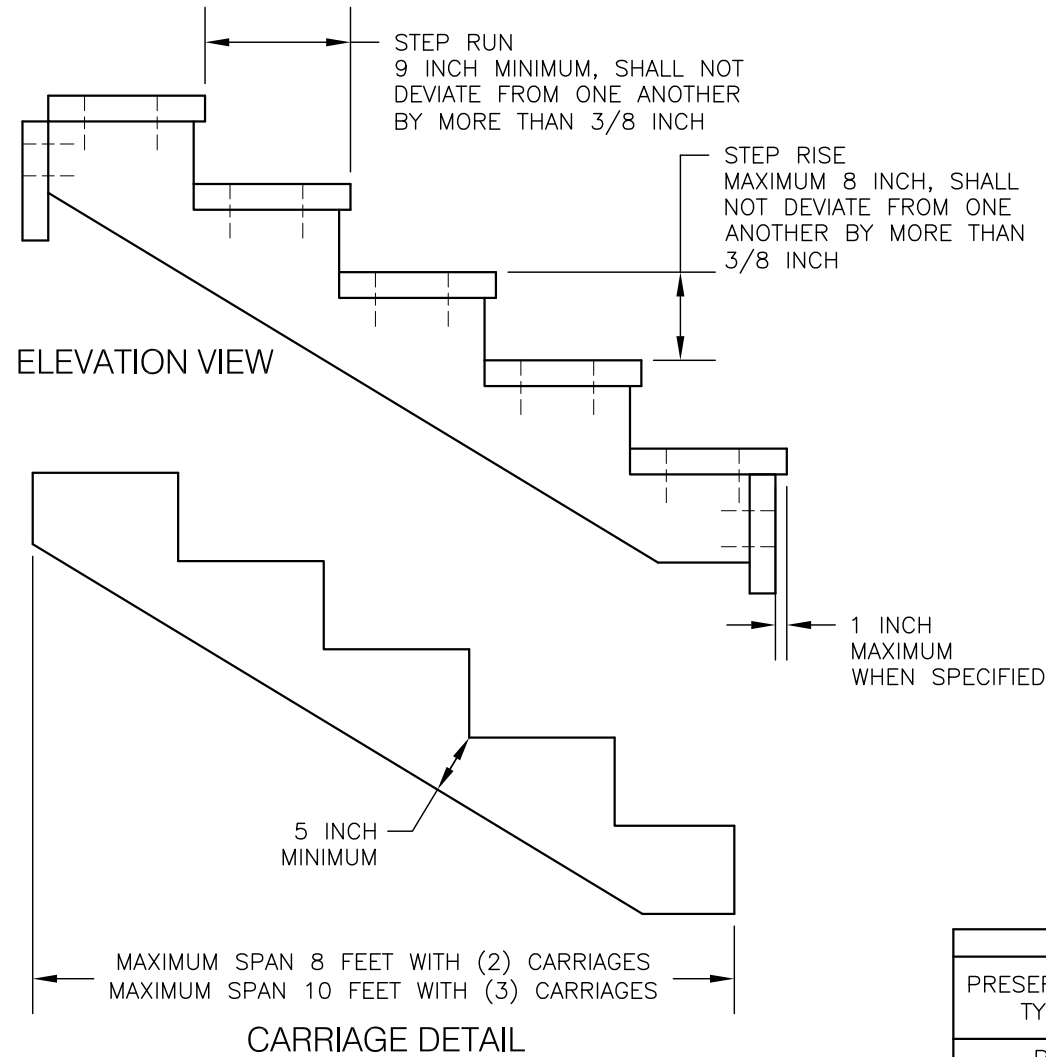
**TWO CARRIAGE OPTION**

FOR 3 FOOT OR LESS STEP WIDTH



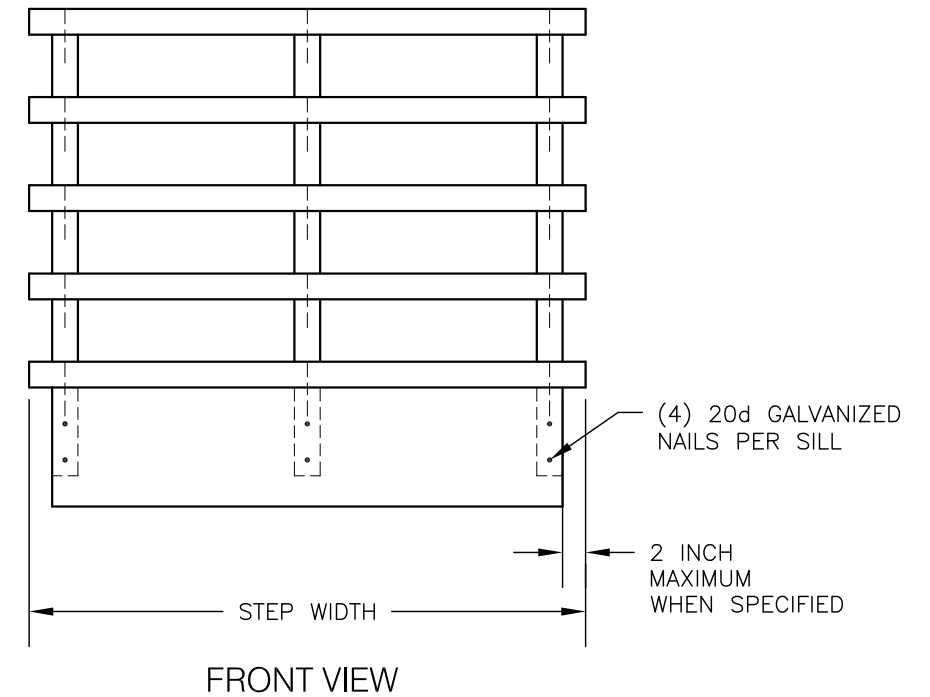
**THREE CARRIAGE OPTION**

FOR 3 TO 6 FOOT STEP WIDTH



**NOTES:**

1. COMPACT BACKFILL IN 6 INCH LIFTS UNTIL NO VISUAL DISPLACEMENT.
2. REMOVE AND DISPOSE OF DUFF AND TOP ORGANIC LAYERS DOWN TO MINERAL SOIL.



PRESERVATIVE TREATMENT - (REFER TO AWPA USE CATEGORY SYSTEM)			
PRESERVATIVE TYPE	TREATMENT TYPE	USE CATEGORY	COMMENTS
P1	WB	UC4A	
P2	WB	UC3B	
P3			

TREATMENT TYPE  
**WB** = WATERBORNE  
**OT** = OIL-BORNE

USE CATEGORY  
**UC3B** = ABOVE GROUND - EXPOSED  
**UC4A** = GROUND CONTACT - GENERAL USE  
**UC4B** = GROUND CONTACT - HEAVY DUTY