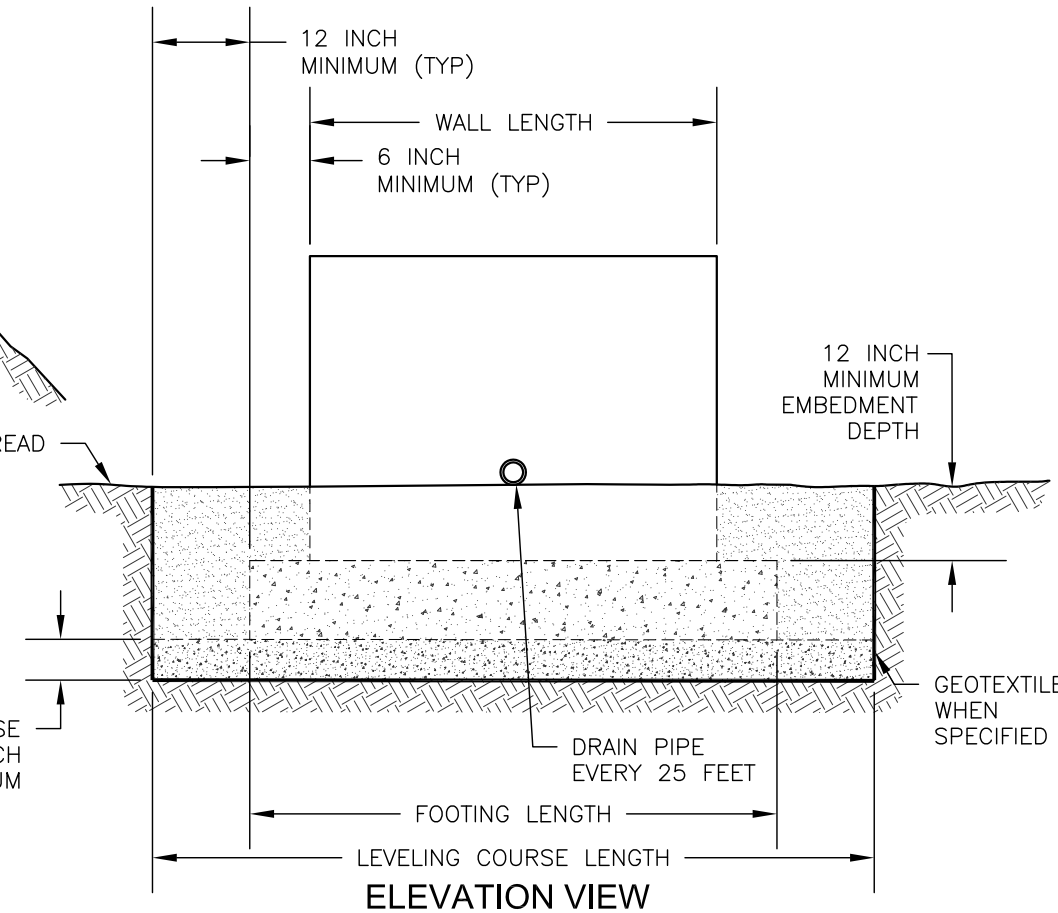
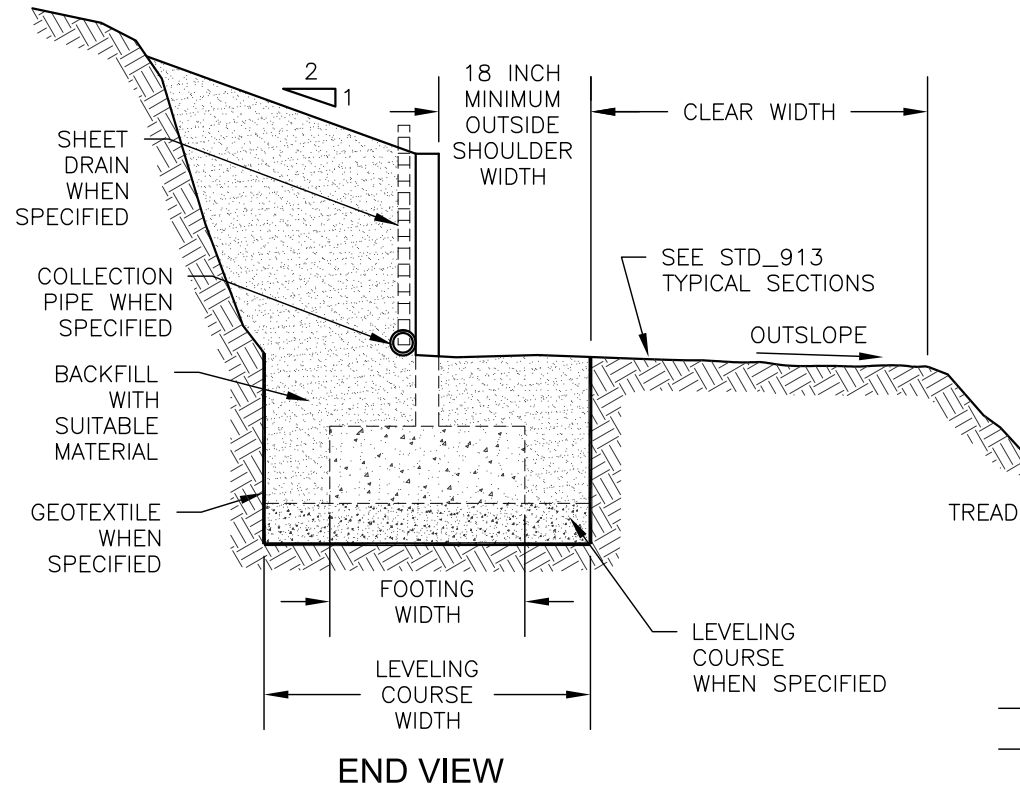
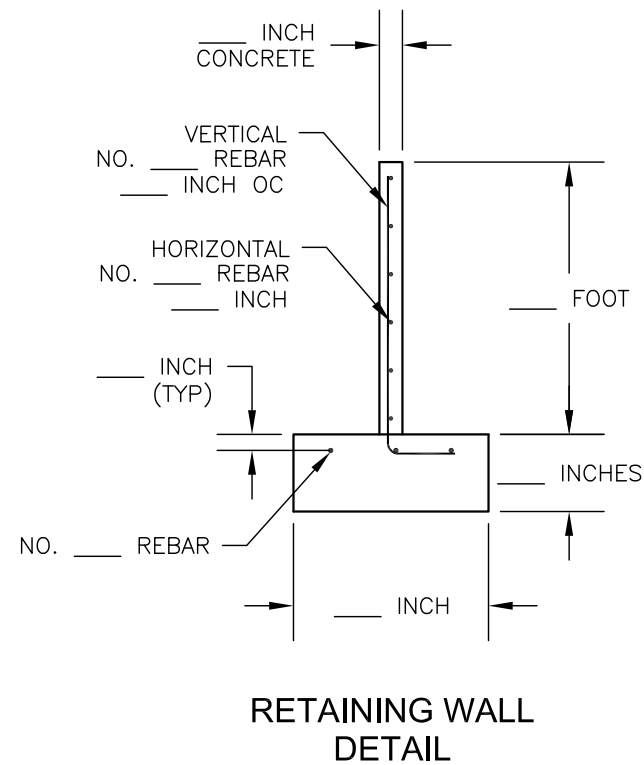


CAST IN PLACE CONCRETE RETAINING WALL

TYPICAL ID	CLEAR WIDTH	GEOTEXTILE TYPE	LEVELING COURSE			PRECAST WALL			COMMENTS
			TYPE	DEPTH	WIDTH	WIDTH	HEIGHT	EMBEDMENT DEPTH	
CCW-1		G	L						

N/A WHEN NOT APPLICABLE



GEOTEXTILE TYPE

GEOTEXTILE TYPE	GEOTEXTILE MATERIAL	COMMENTS
G1	NON-WOVEN	
G2	WOVEN	
G3	GEOGRID	
G4		
G5		
G6		

LEVELING COURSE MATERIAL

TYPE	MATERIAL	GRADATION	COMMENTS
L1	PITRUN		
L2	AGGREGATE		
L3			

NOTES:

1. 2 INCH MINIMUM DIAMETER PIPE DRAIN REQUIRED AT LOW POINTS.
2. SET PIPE DRAIN 1 INCH BELOW TREAD AND OUTSLOPE PIPE AT 2 TO 3%.
3. COMPACT BACKFILL IN 6 INCH LIFTS UNTIL NO VISUAL DISPLACEMENT.
4. REMOVE AND DISPOSE OF DUFF AND TOP ORGANIC LAYERS DOWN TO MINERAL SOIL.
5. CLEAR WIDTH IS GREATER OR EQUAL TO THE TREAD AND SHOULDER WIDTHS DEFINED IN SECTION 911.