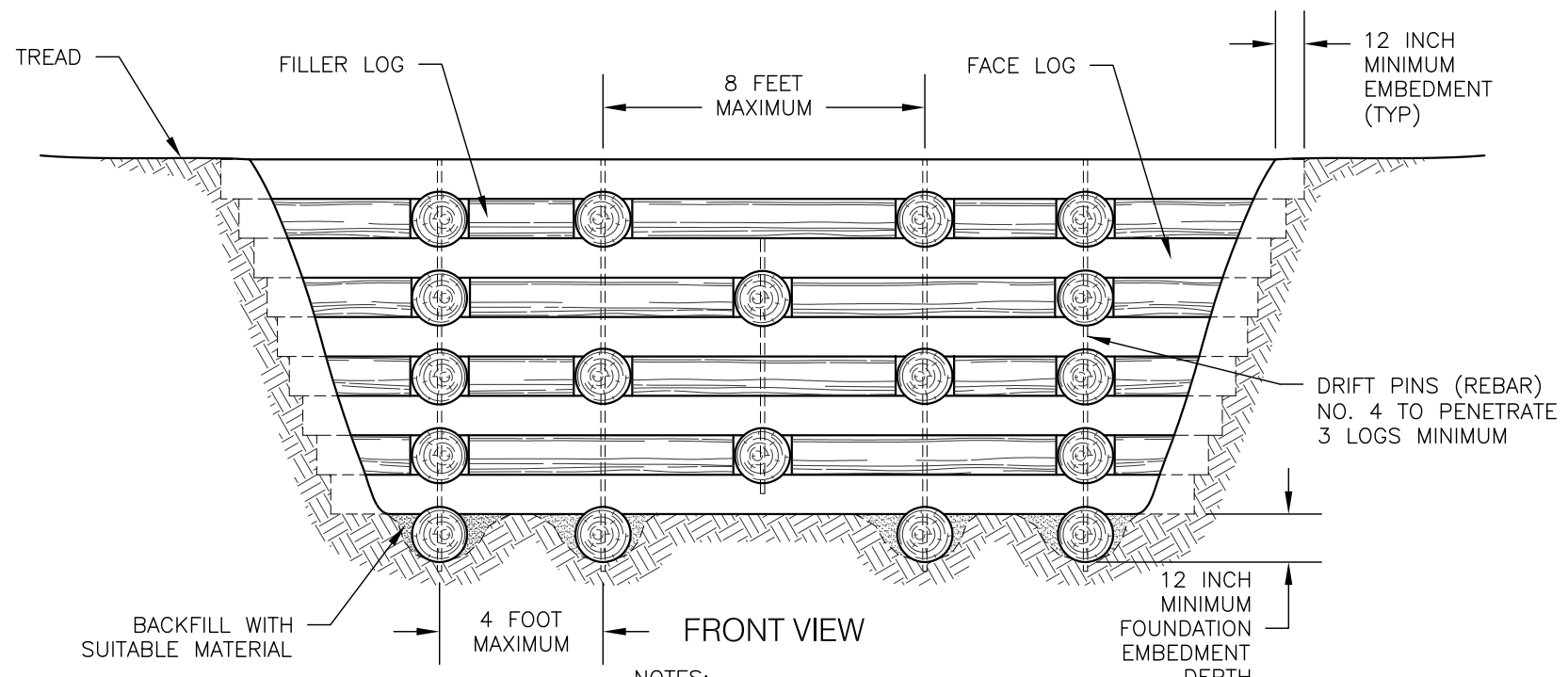


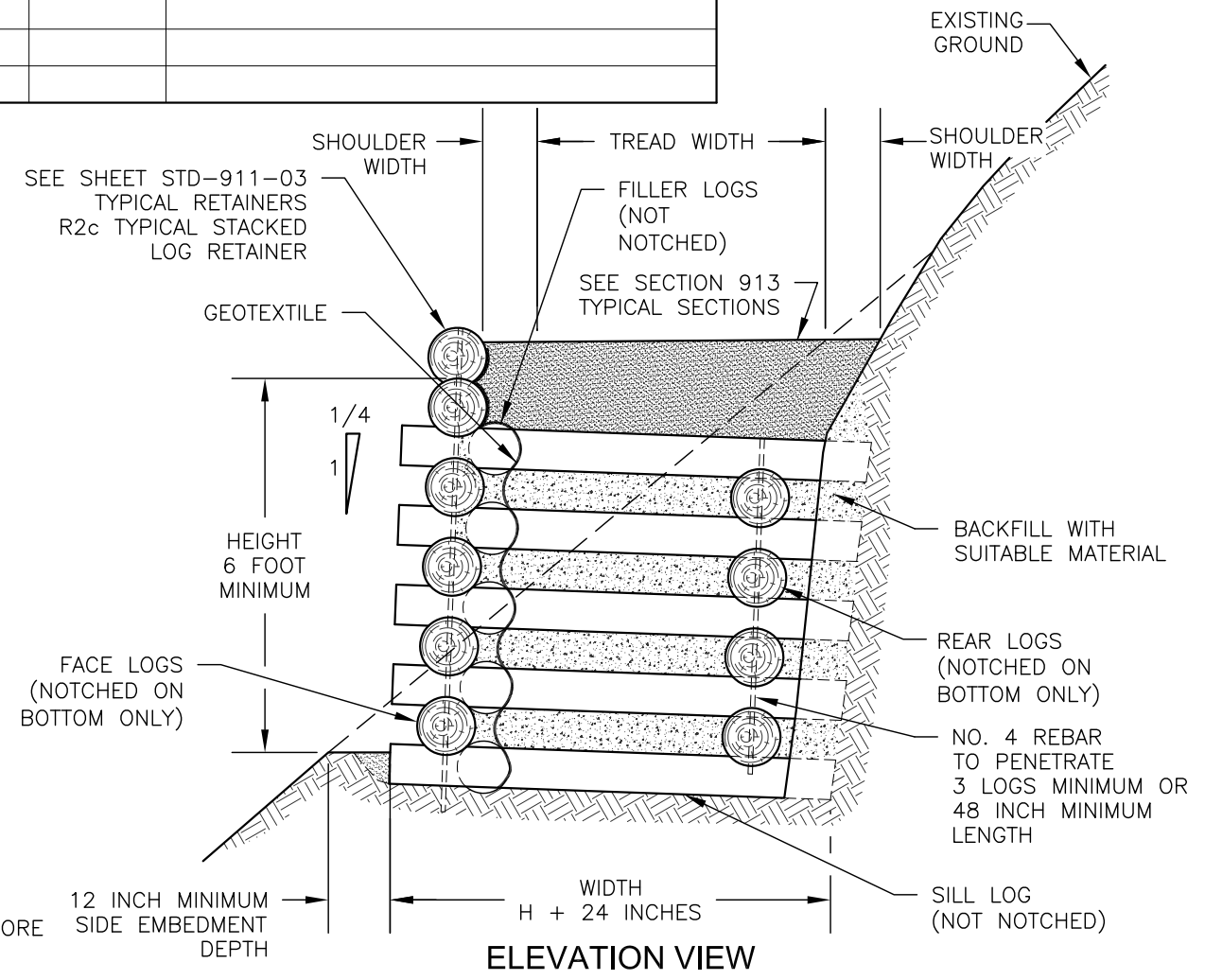
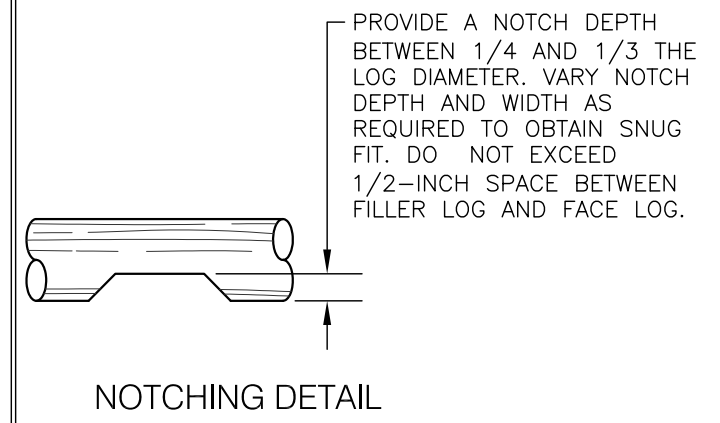
# LOG CRIB

TYPICAL ID	GEOTEXTILE TYPE	EMBEDMENT DEPTH		HEIGHT	SILL LOG DIAMETER	FILLER LOG DIAMETER	HEADER LOG DIAMETER	REAR LOG DIAMETER	FACE LOG DIAMETER	RETAINER* TYPE	SPECIES	PRESERV. TYPE	COMMENTS
		SIDE	FOUNDATION										
CRL-1										R2c		P	

N/A WHEN NOT APPLICABLE  
 \*FOR TYPICAL RETAINERS SEE SHEET STD\_911-03



- NOTES:
1. STRAIGHTNESS REQUIREMENTS: THE TRUE CENTER OF EACH LOG DEVIATES NO MORE THAN 2 INCHES FROM A STRAIGHT LINE BETWEEN THE CENTERS OF THE ENDS OF THE LOG.
  2. PRE-DRILL HOLES FOR DRIFT PINS AND OTHER FASTENERS TO PREVENT SPLITTING OF LOGS OR SAWN TIMBERS.
  3. RECESS END OF REBAR 1/2 INCH BELOW TOP OF TIMBER TOP HEADER LOG. PLACE REBAR A MINIMUM OF 12 INCHES FROM EACH END OF TIMBER WITH MAXIMUM REBAR SPACING AS SHOWN ON THE DRAWINGS.
  4. COMPACT BACKFILL AND FOUNDATION IN 6 INCH LIFTS UNTIL NO VISUAL DISPLACEMENT.
  5. FIELD TREAT ALL FIELD CUTS AND PRE-DRILLED HOLES.
  6. REMOVE AND DISPOSE OF DUFF AND TOP ORGANIC LAYERS DOWN TO MINERAL SOIL.



PRESERVATIVE TREATMENT - (REFER TO AWPA USE CATEGORY SYSTEM)			
PRESERVATIVE TYPE	TREATMENT TYPE	USE CATEGORY	COMMENTS
P1	WB	UC4A	
P2	WB	UC3B	
P3			

TREATMENT TYPE: WB = WATERBORNE, OT = OIL-BORNE  
 USE CATEGORY: UC3B = ABOVE GROUND - EXPOSED, UC4A = GROUND CONTACT - GENERAL USE, UC4B = GROUND CONTACT - HEAVY DUTY