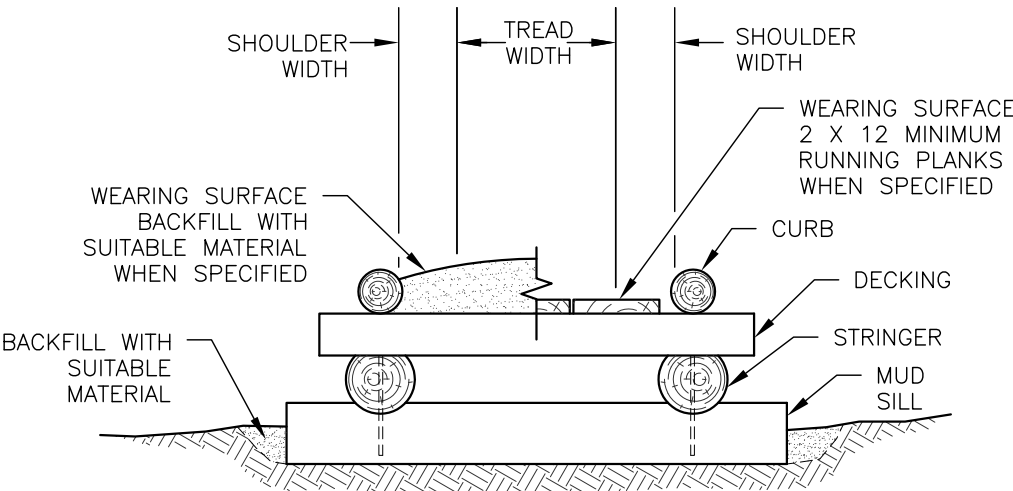
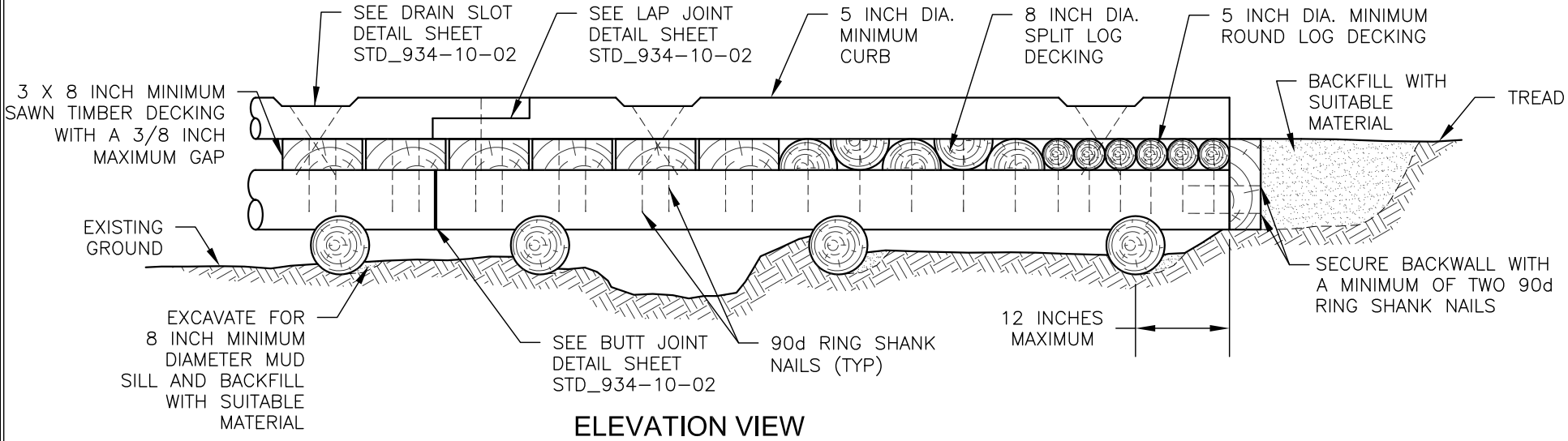


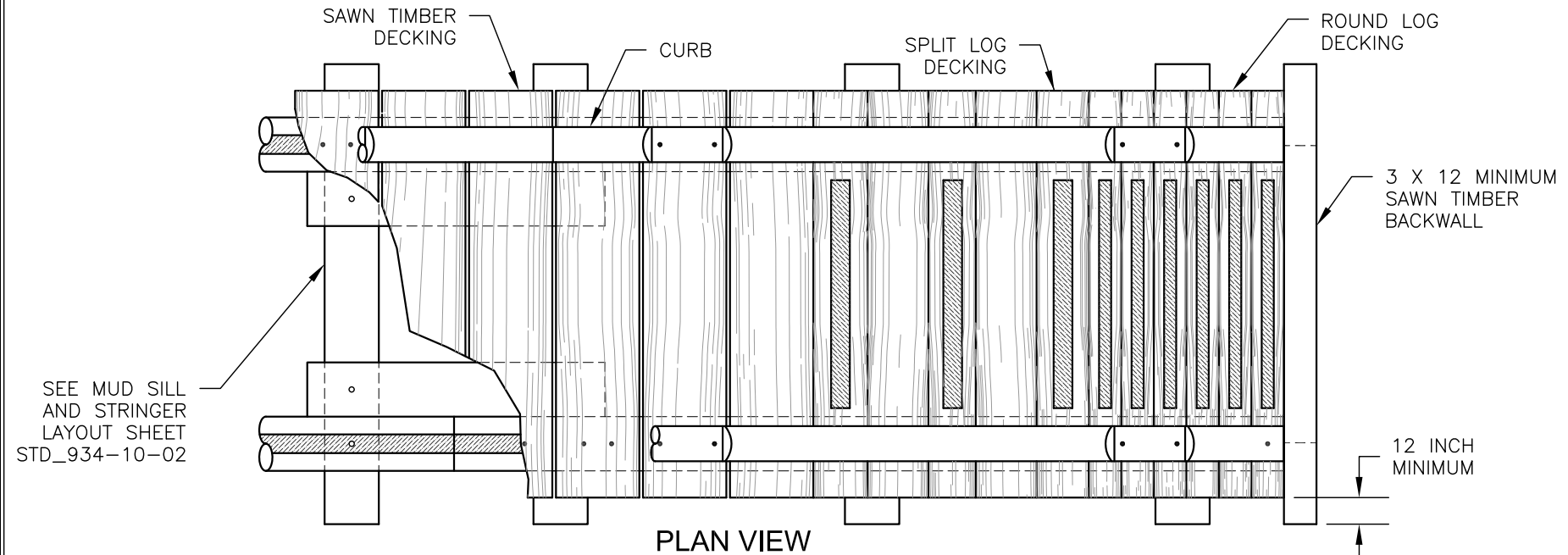
STANDARD PUNCHEON

TYPICAL ID	STRINGER/MUD SILL				DECK/BACKWALL				CURB			WEARING SURFACE				COMMENTS
	SIZE	SPECIES	NUMBER	PRESERV. TYPE	TYPE	SIZE	SPECIES	PRESERV. TYPE	SIZE	SPECIES	PRESERV. TYPE	TYPE	SIZE	SPECIES	PRESERV. TYPE	
SP1-1				P				P			P				P	

N/A WHEN NOT APPLICABLE



- NOTES:**
- PRE-DRILL HOLES FOR FASTENERS TO PREVENT SPLITTING OF LOGS OR SAWN TIMBERS.
 - RECESS END OF REBAR 1/2 INCH BELOW TOP OF STRINGERS.
 - COMPACT BACKFILL IN 6 INCH LIFTS UNTIL NO VISUAL DISPLACEMENT.
 - ALL FIELD DRILLED HOLES AND CUTS SHALL BE FIELD TREATED.
 - FINAL DECK ELEVATION FOR RUNNING PLANKS OR DECKING SHALL BE NO MORE THAN 1/2 INCH DIFFERENCE IN ELEVATION.



PRESERVATIVE TREATMENT - (REFER TO AWPA USE CATEGORY SYSTEM)			
PRESERVATIVE TYPE	TREATMENT TYPE	USE CATEGORY	COMMENTS
P1	WB	UC4A	
P2	WB	UC3B	
P3			

TREATMENT TYPE: WB = WATERBORNE, OT = OIL-BORNE

USE CATEGORY: UC3B = ABOVE GROUND - EXPOSED, UC4A = GROUND CONTACT - GENERAL USE, UC4B = GROUND CONTACT - HEAVY DUTY