

TYPE 1 - STANDARD TURNPIKE

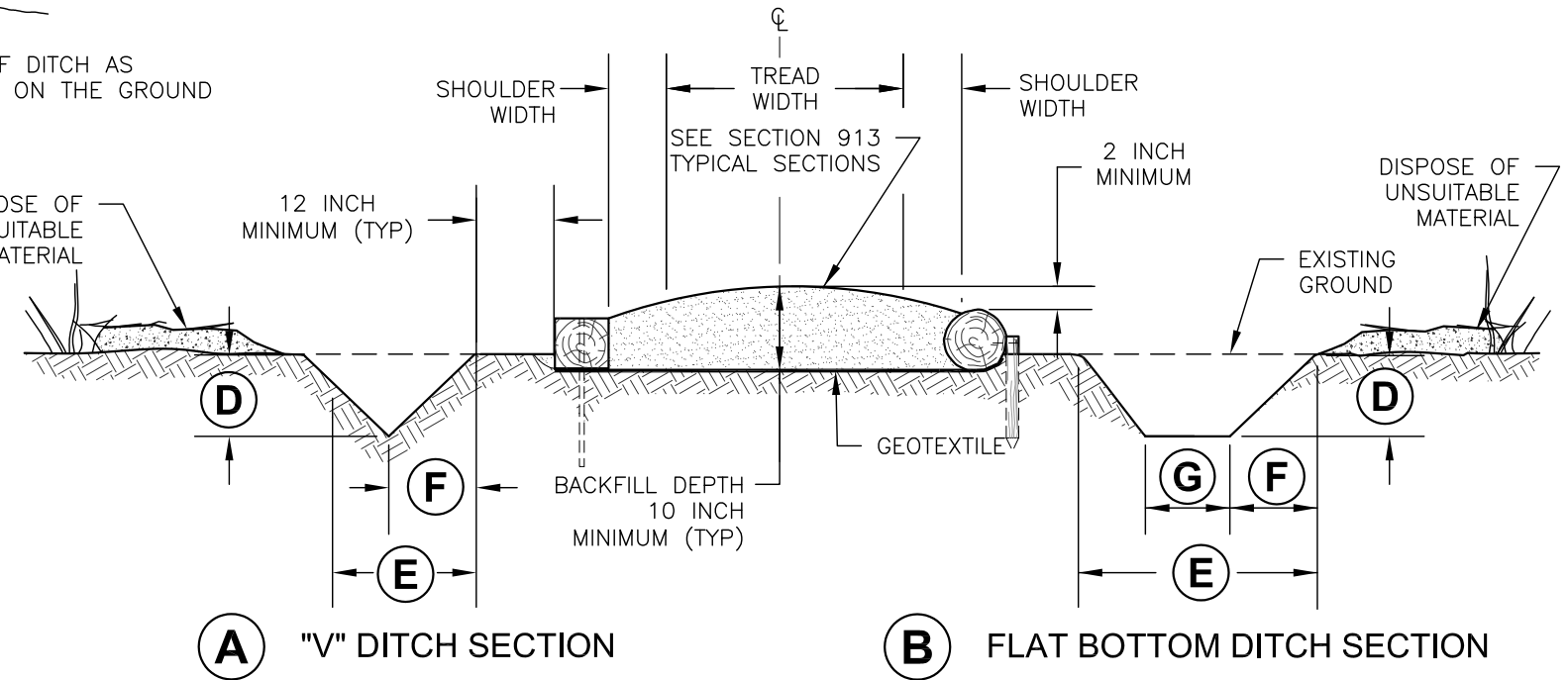
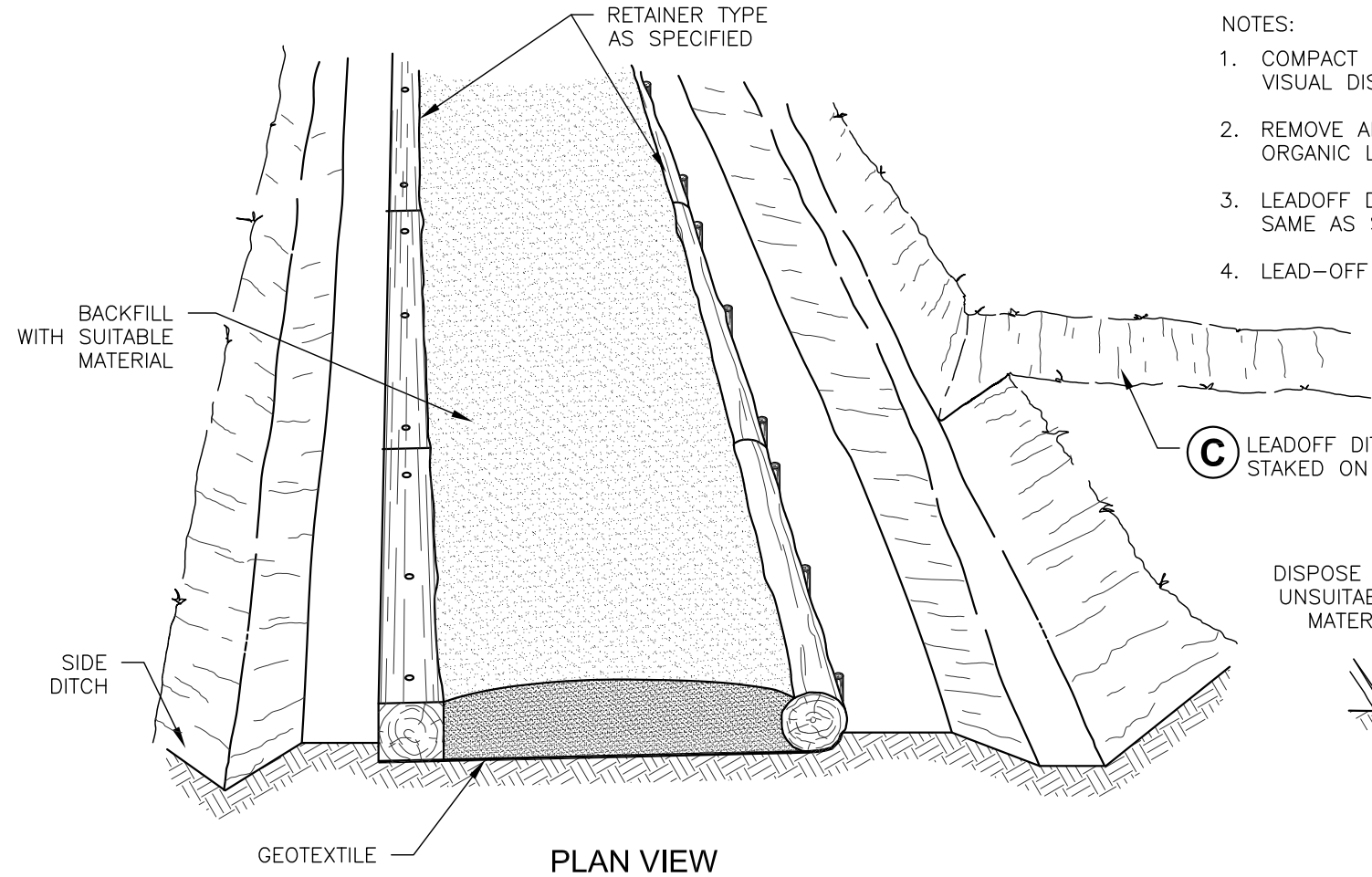
TYPICAL ID	GEOTEXTILE TYPE	RETAINER*		DITCH						COMMENTS
		TYPE	TYPE	LOCATION		DIMENSIONS (INCHES)				
				LT	RT	D	E	F	G	
TPK-1	G	R								

N/A WHEN NOT APPLICABLE
 *FOR TYPICAL RETAINERS SEE SHEET STD_911-03

GEOTEXTILE TYPE

TYPE	MATERIAL	COMMENTS
G1	NON-WOVEN	
G2	WOVEN	
G3		

- NOTES:
1. COMPACT BACKFILL IN 6 INCH LIFTS UNTIL NO VISUAL DISPLACEMENT.
 2. REMOVE AND DISPOSE OF DUFF AND TOP ORGANIC LAYERS DOWN TO MINERAL SOIL.
 3. LEADOFF DITCH TO BE CONSTRUCTED THE SAME AS SIDE DITCHES.
 4. LEAD-OFF DITCH TO DRAIN TO DAYLIGHT.



TYPICAL CROSS SECTION