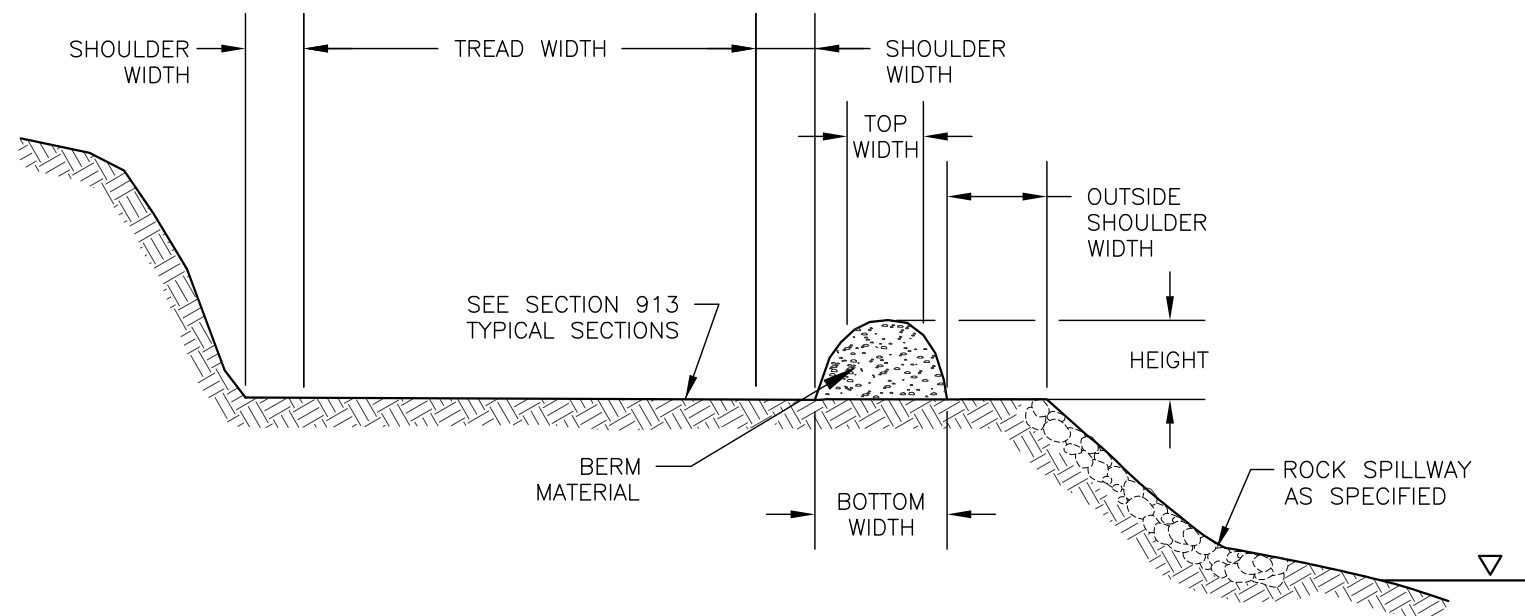


BERMS

TYPICAL ID	MATERIAL TYPE	OUTSIDE SHOULDER WIDTH	HEIGHT	TOP WIDTH	BOTTOM WIDTH	ROCK*** SPILLWAY	COMMENTS
BRM-1	B						

N/A WHEN NOT APPLICABLE
 ***FOR ROCK SPILLWAY SEE SHEET STD_923-10-01



TYPICAL BERM SECTION

BERM MATERIAL TYPE

TYPE	MATERIAL	SIZE	GRADATION %	COMMENTS
B1	AGGREGATE	1 INCH MINUS		
B2	COARSE AGGREGATE	3 INCH MINUS		
B3	ROCK	3 TO 6 INCH		
B4	ROCK	4 TO 8 INCH		
B5	HEAVY ROCK	8 INCH PLUS		
B6				
B7				

NOTES:

1. REMOVE AND DISPOSE OF DUFF AND TOP ORGANIC LAYERS DOWN TO MINERAL SOIL.
2. COMPACT BACKFILL IN 6 INCH LIFTS UNTIL NO VISUAL DISPLACEMENT.