

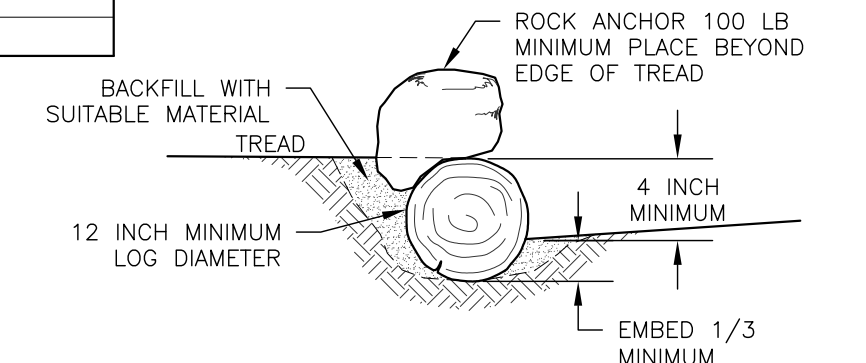
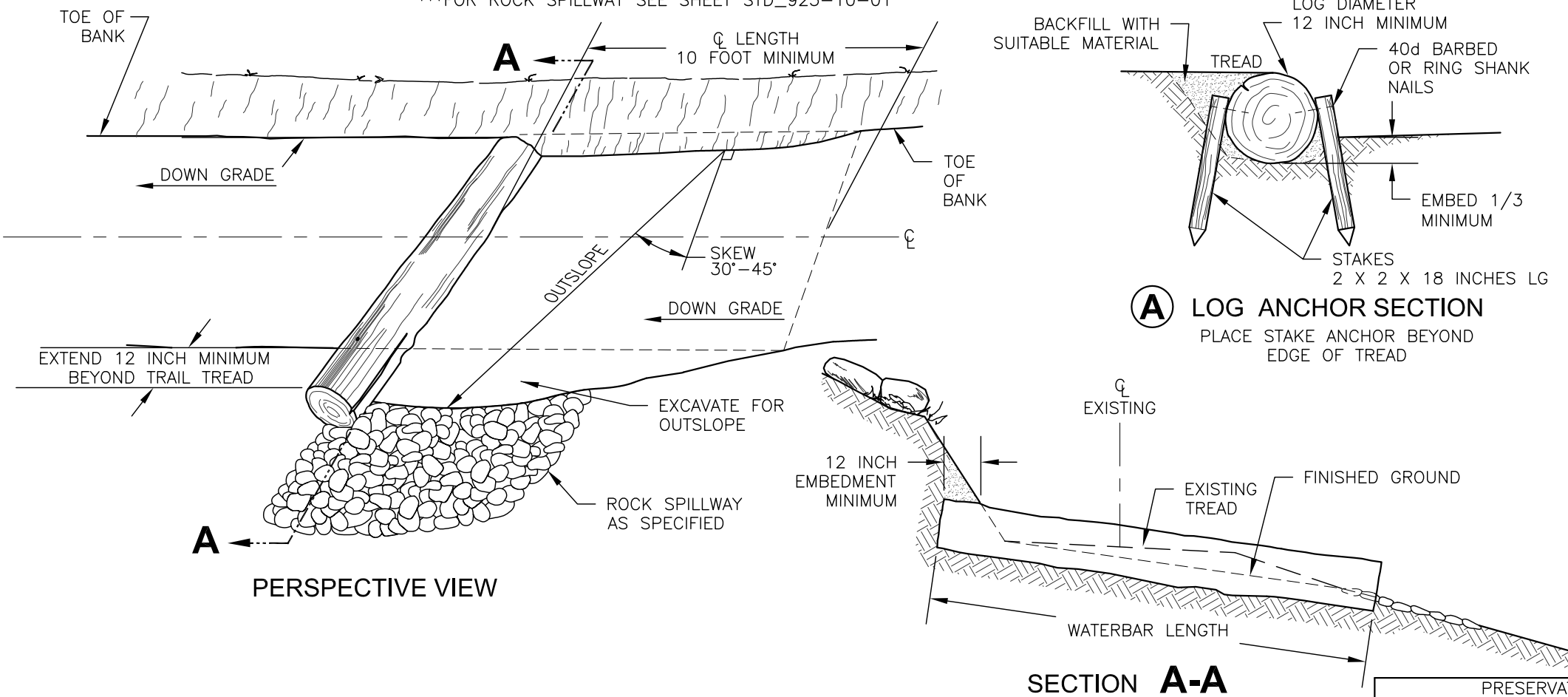
SKEW

TRAIL GRADE	SKEW ANGLE
<5%	45° MAX
>5%	30° MIN

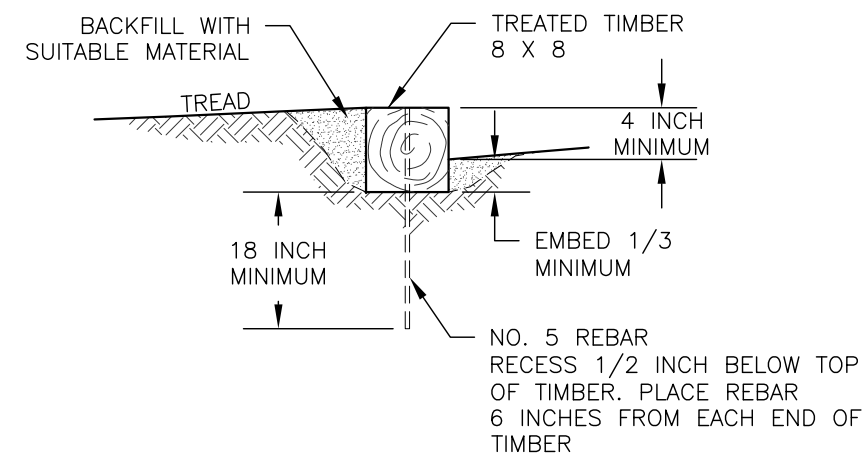
LOG OR TREATED TIMBER WATERBAR

TYPICAL ID	MATERIAL TYPE	ANCHOR SECTION TYPE	SPECIES	PRESERV. TYPE	OUTSLOPE	℄ LENGTH	ROCK SPILLWAY***	COMMENTS
TWB-1	M			P				

N/A WHEN NOT APPLICABLE
 ***FOR ROCK SPILLWAY SEE SHEET STD_923-10-01



(B) LOG WITH ROCK ANCHOR SECTION



(C) TREATED TIMBER ANCHOR SECTION

MATERIAL TYPE

TYPE	MATERIAL	SIZE	COMMENTS
M1	LOG		
M2	SAWN TIMBER		
M3	RAIL ROAD TIES		
M4			

- NOTES:
1. COMPACT BACKFILL IN 6 INCH LIFTS UNTIL NO VISUAL DISPLACEMENT.
 2. PRE-DRILL HOLES FOR FASTENERS TO PREVENT SPLITTING OF LOGS OR SAWN TIMBER.

PRESERVATIVE TREATMENT - (REFER TO AWPA USE CATEGORY SYSTEM)			
PRESERVATIVE TYPE	TREATMENT TYPE	USE CATEGORY	COMMENTS
P1	WB	UC4A	
P2	WB	UC3B	
P3			

TREATMENT TYPE: WB = WATERBORNE, OT = OIL-BORNE
 USE CATEGORY: UC3B = ABOVE GROUND - EXPOSED, UC4A = GROUND CONTACT - GENERAL USE, UC4B = GROUND CONTACT - HEAVY DUTY