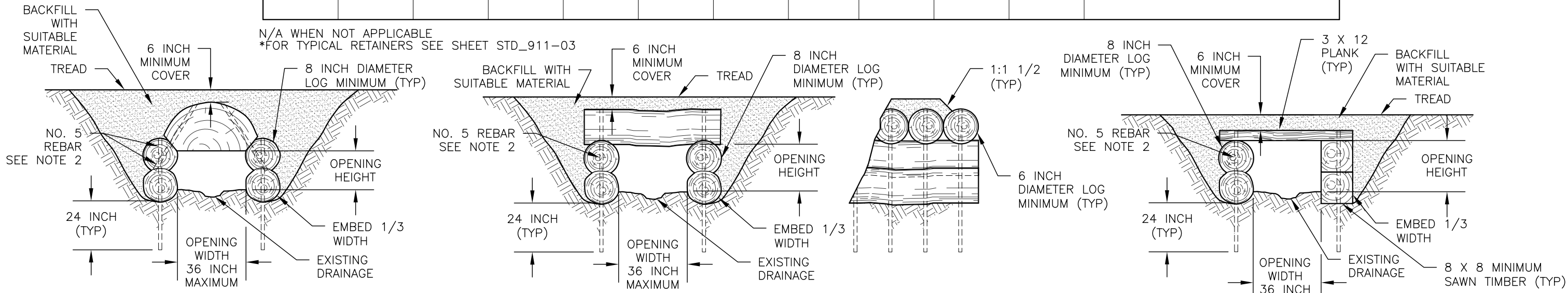


# LOG CULVERT

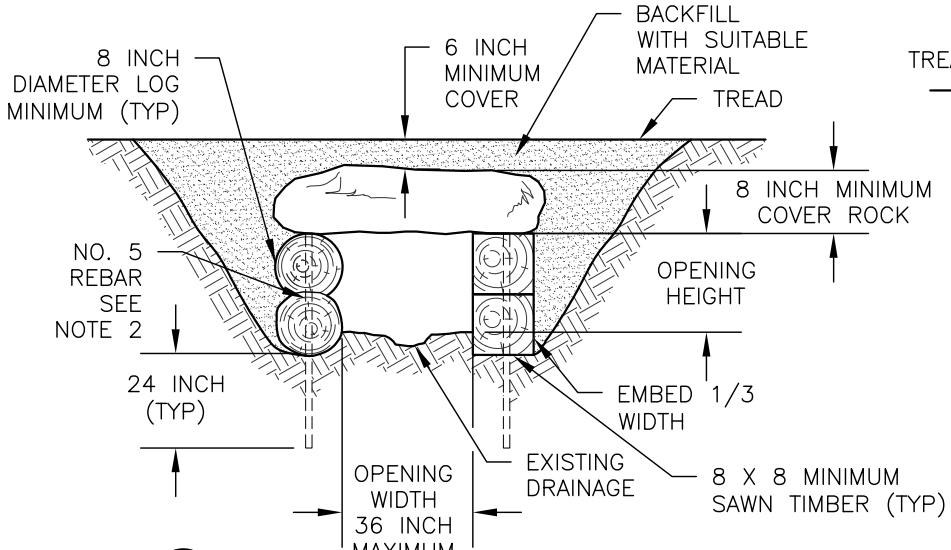
TYPICAL ID	CULVERT						FOUNDATION LOG			RETAINER*	COMMENTS
	LENGTH	SECTION TYPE	OPENING WIDTH	OPENING HEIGHT	MATERIAL TYPE	PRESERV. TYPE	MATERIAL TYPE	SIZE	PRESERV. TYPE	TYPE	
LCV-1										R	



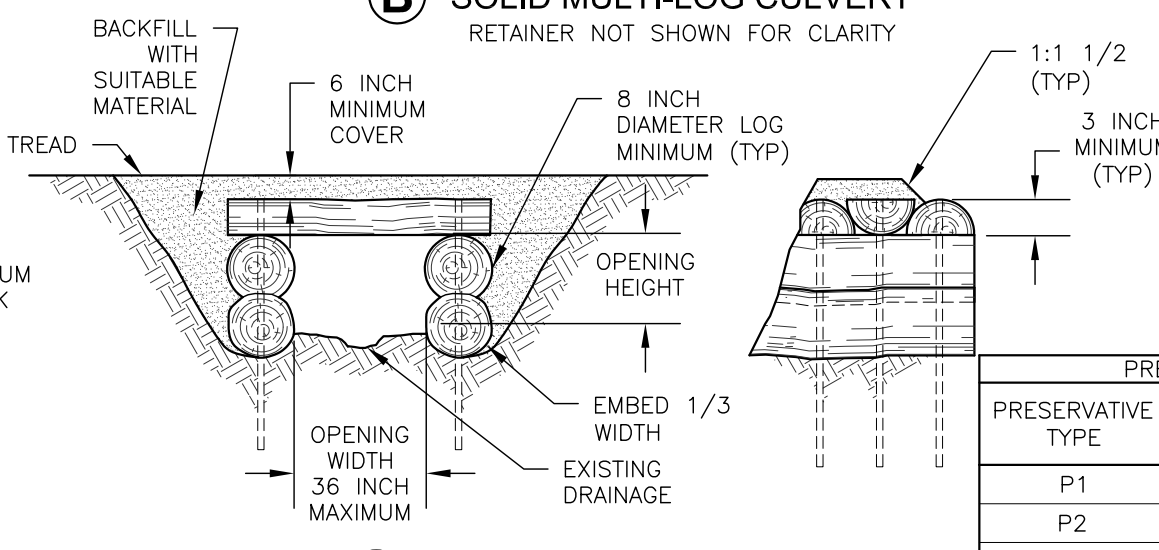
**A SINGLE SPLIT/ROUND LOG CULVERT**  
RETAINER NOT SHOWN FOR CLARITY

**B SOLID MULTI-LOG CULVERT**  
RETAINER NOT SHOWN FOR CLARITY

**C PLANK**  
RETAINER NOT SHOWN FOR CLARITY



**D ROCK-LOG/TIMBER CULVERT**  
RETAINER NOT SHOWN FOR CLARITY



**E SPLIT MULTI-LOG CULVERT**  
RETAINER NOT SHOWN FOR CLARITY

- NOTES:
- PRE-DRILL HOLES FOR FASTENERS TO PREVENT SPLITTING OF LOGS OR SAWN TIMBERS.
  - RECESS END OF REBAR 1/2 INCH BELOW TOP OF TIMBER. PLACE REBAR 6 INCHES FROM EACH END OF TIMBER WITH MAXIMUM REBAR SPACING OF 36 INCHES.
  - COMPACT BACKFILL IN 6 INCH LIFTS UNTIL NO VISUAL DISPLACEMENT.

PRESERVATIVE TREATMENT - (REFER TO AWPA USE CATEGORY SYSTEM)			
PRESERVATIVE TYPE	TREATMENT TYPE	USE CATEGORY	COMMENTS
P1	WB	UC4A	
P2	WB	UC3B	
P3			

TREATMENT TYPE: WB = WATERBORNE, OT = OIL-BORNE  
 USE CATEGORY: UC3B = ABOVE GROUND - EXPOSED, UC4A = GROUND CONTACT - GENERAL USE, UC4B = GROUND CONTACT - HEAVY DUTY