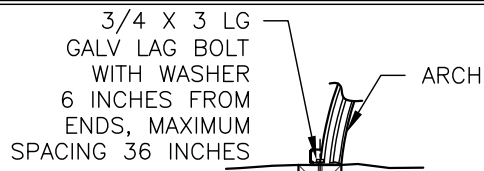
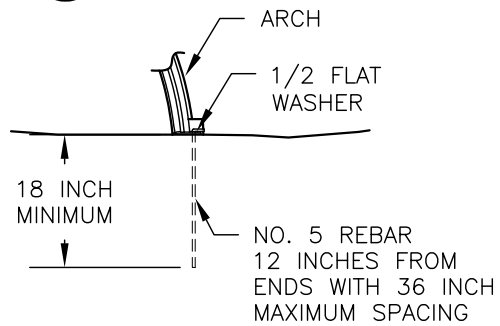


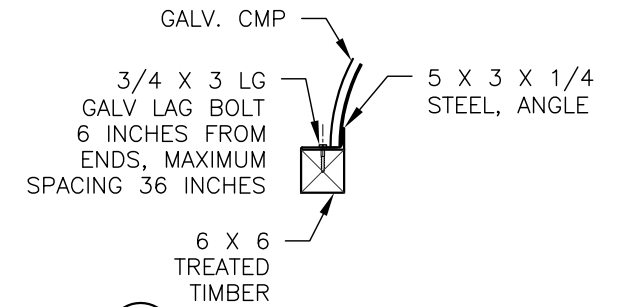
BOTTOMLESS ARCH CULVERT



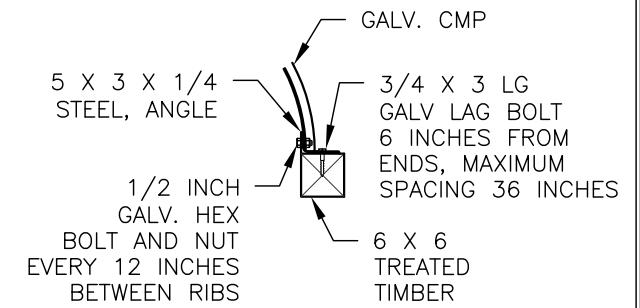
(A) LAG BOLT ASSEMBLY



(B) REBAR ASSEMBLY



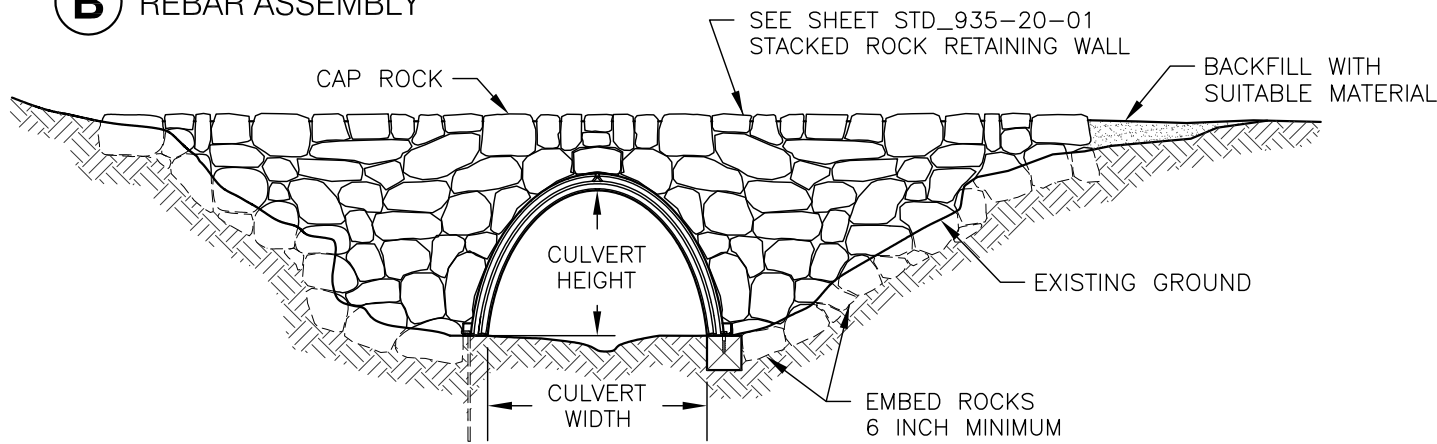
(C) WELDED ASSEMBLY
TACK WELD ANGLE ACROSS PIPE RIBS EVERY 12 INCHES MINIMUM



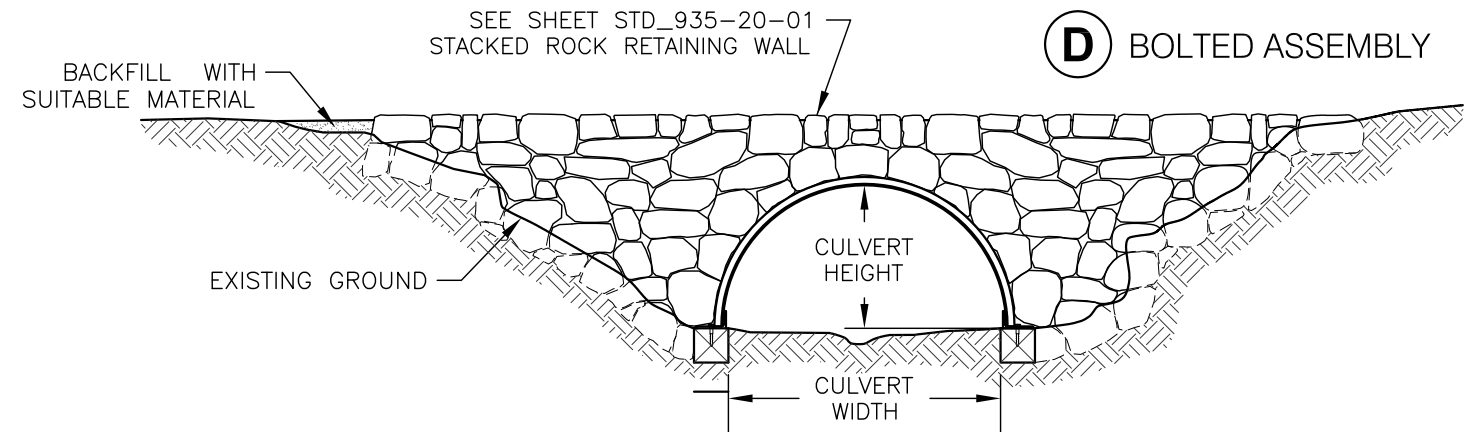
(D) BOLTED ASSEMBLY

| TYPICAL ID | GEOTEXTILE TYPE | CULVERT | | | HEADWALL | | COMMENTS |
|------------|-----------------|---------|------|---------------|-------------------|-------------------|----------|
| | | TYPE | SIZE | ASSEMBLY TYPE | MINIMUM ROCK SIZE | MAXIMUM ROCK SIZE | |
| ACV-1 | | AP | | | | | |
| | | | | | | | |
| | | | | | | | |
| | | | | | | | |
| | | | | | | | |
| | | | | | | | |
| | | | | | | | |
| | | | | | | | |
| | | | | | | | |

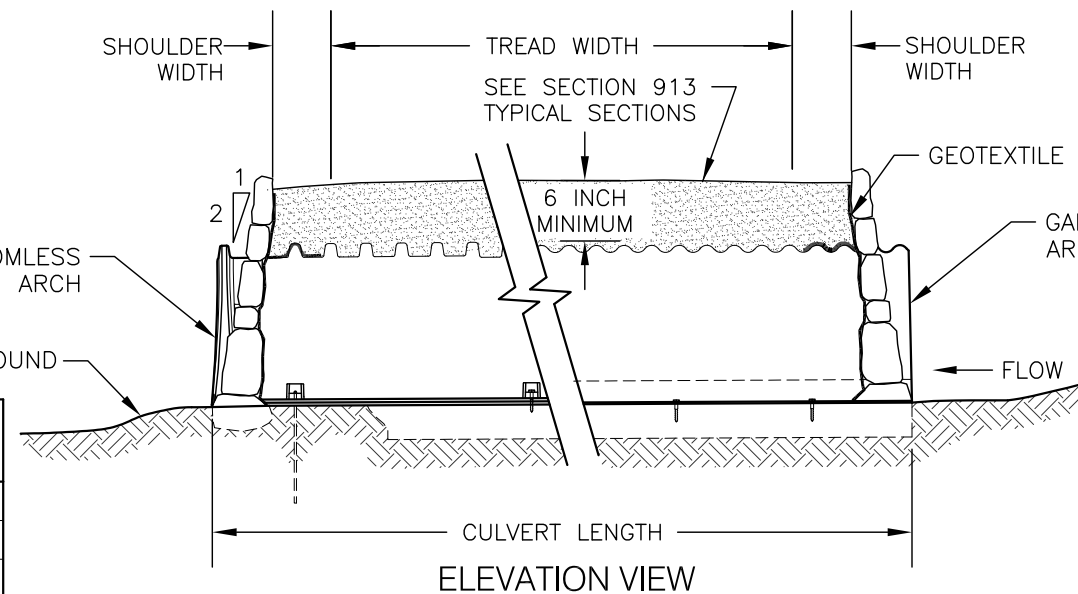
N/A WHEN NOT APPLICABLE



**END VIEW
POLYMER ARCH**



**END VIEW
GALVANIZED ARCH**



ELEVATION VIEW

ARCH PIPE TYPE

| TYPE | MATERIAL | COMMENTS |
|------|------------|----------|
| AP1 | CMP - GALV | |
| AP2 | POLYMER | |
| AP3 | | |

NOTES:

1. PRE-DRILL HOLES FOR REBAR TO PREVENT SPLITTING OF TREATED TIMBERS.
2. COMPACT BACKFILL IN 6 INCH LIFTS UNTIL NO VISUAL DISPLACEMENT.
3. REMOVE AND DISPOSE OF DUFF AND TOP ORGANIC LAYERS DOWN TO MINERAL SOIL.
4. LAY ROCK WITH A MINIMUM OF 3 POINTS OF CONTACT WITH ADJACENT ROCKS.
5. LAY ROCKS IN A RANDOM ARRANGEMENT.
6. FILL VOIDS WITH BROKEN ROCK OR SUITABLE BACKFILL.
7. NO ROCKS LARGER THAN 1 1/2 INCHES WITHIN 12 INCHES OF PIPE.