

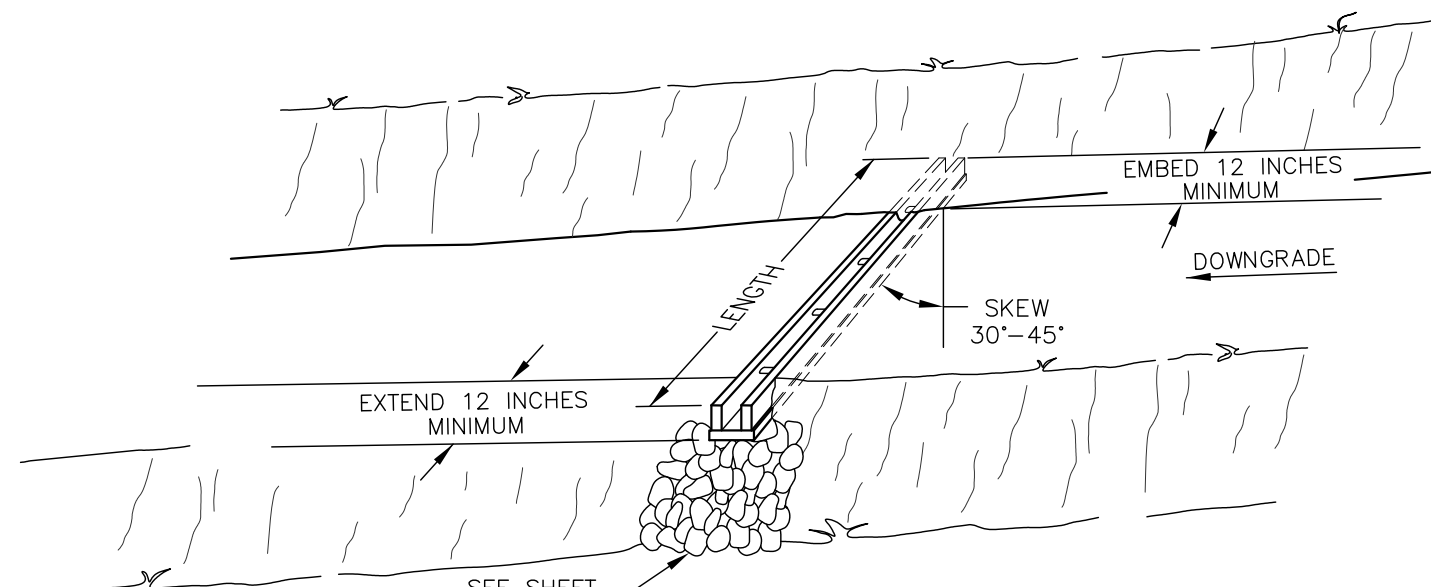
SKEW

TRAIL GRADE	SKEW ANGLE
<5%	45° MAX
>5%	30° MIN

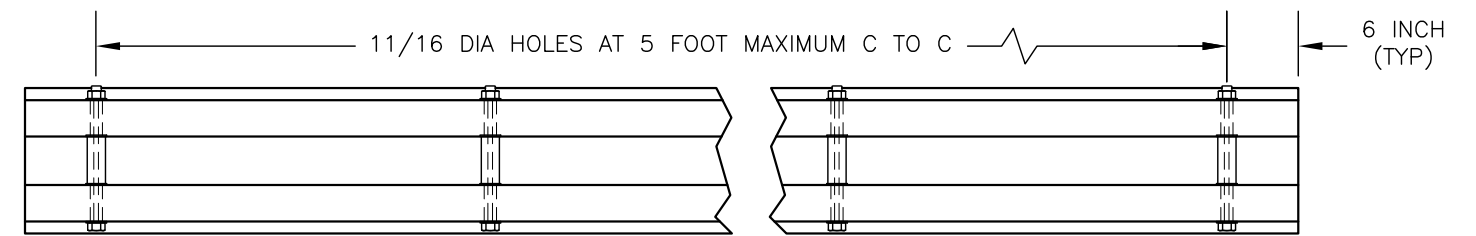
OPEN-TOP DRAIN

TYPICAL ID	SPECIES	PRESERV. TYPE	ROCK*** SPILLWAY	SKEW	COMMENTS
OTD-1		P			

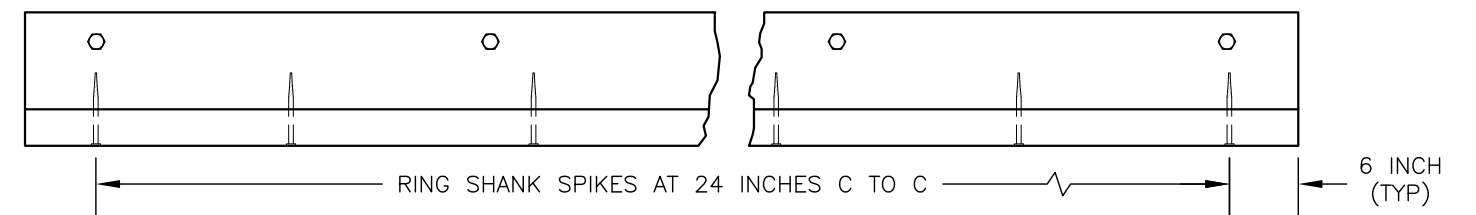
N/A WHEN NOT APPLICABLE
 ***FOR ROCK SPILLWAY SEE SHEET STD_923-10-01



PERSPECTIVE VIEW



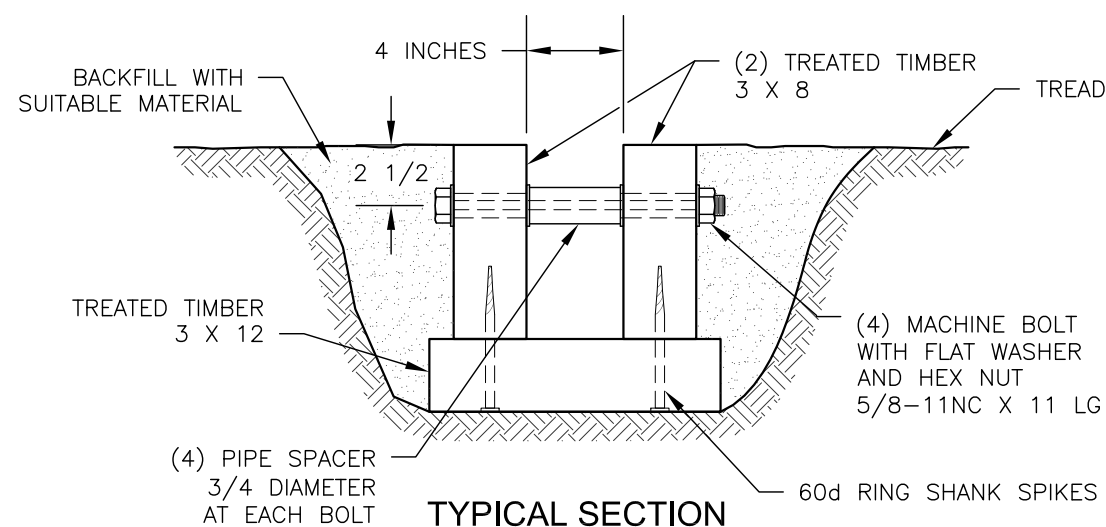
PLAN VIEW



ELEVATION VIEW

NOTES:

1. COMPACT BACKFILL IN 6 INCH LIFTS UNTIL NO VISUAL DISPLACEMENT.



TYPICAL SECTION

PRESERVATIVE TREATMENT - (REFER TO AWPA USE CATEGORY SYSTEM)			
PRESERVATIVE TYPE	TREATMENT TYPE	USE CATEGORY	COMMENTS
P1	WB	UC4A	
P2	WB	UC3B	
P3			

TREATMENT TYPE: WB = WATERBORNE, OT = OIL-BORNE
 USE CATEGORY: UC3B = ABOVE GROUND - EXPOSED, UC4A = GROUND CONTACT - GENERAL USE, UC4B = GROUND CONTACT - HEAVY DUTY