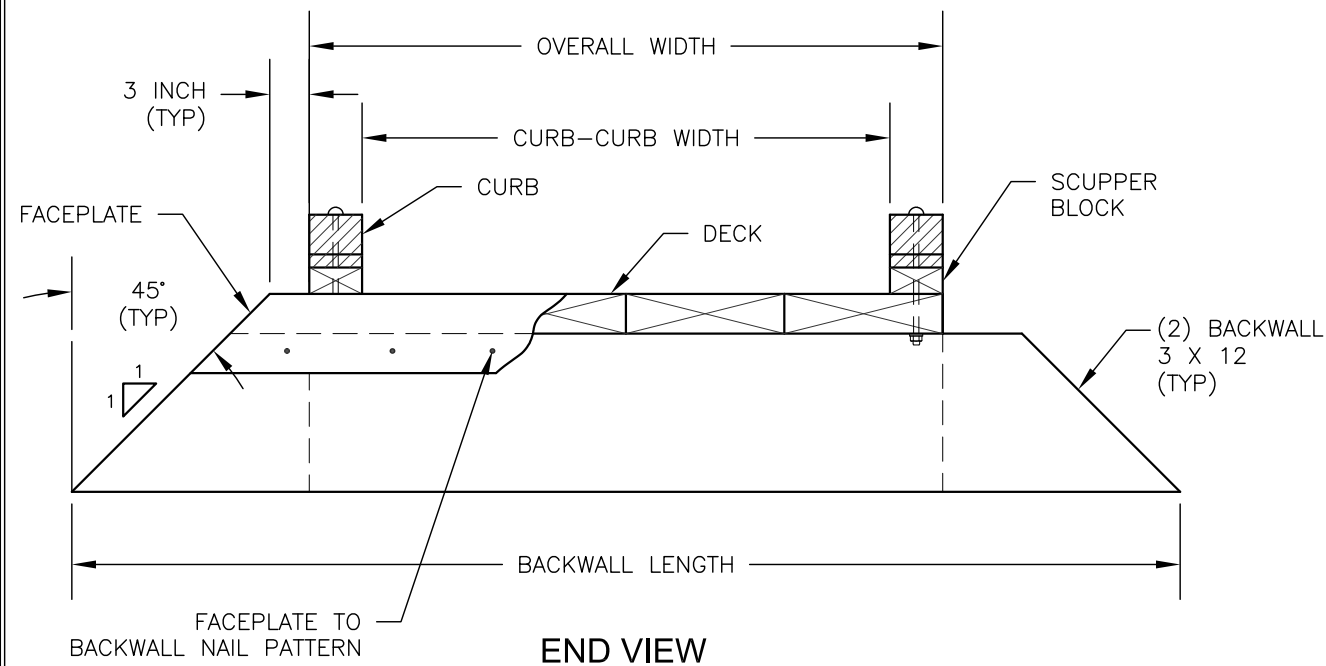


# TREATED TIMEBER BOX CULVERT & CURB

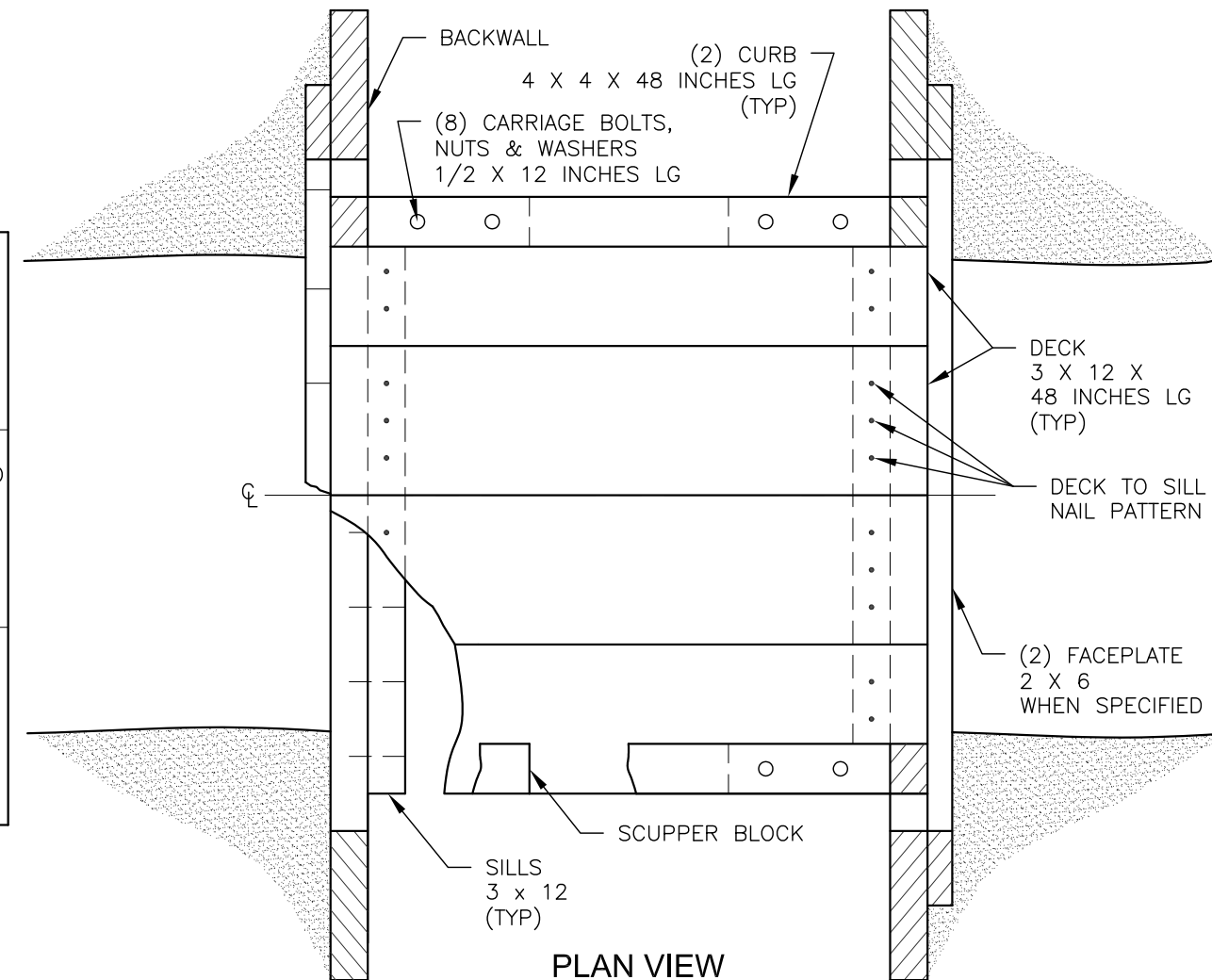
TYPICAL ID	CURB-CURB WIDTH	OVERALL WIDTH	BACKWALL/SILL/FACEPLATE			DECK		CURBS/SCUPPER BLOCKS		COMMENTS
			LENGTH	SPECIES	PRESERV. TYPE	SPECIES	PRESERV. TYPE	SPECIES	PRESERV. TYPE	
TCV-1					P		P		P	

N/A WHEN NOT APPLICABLE

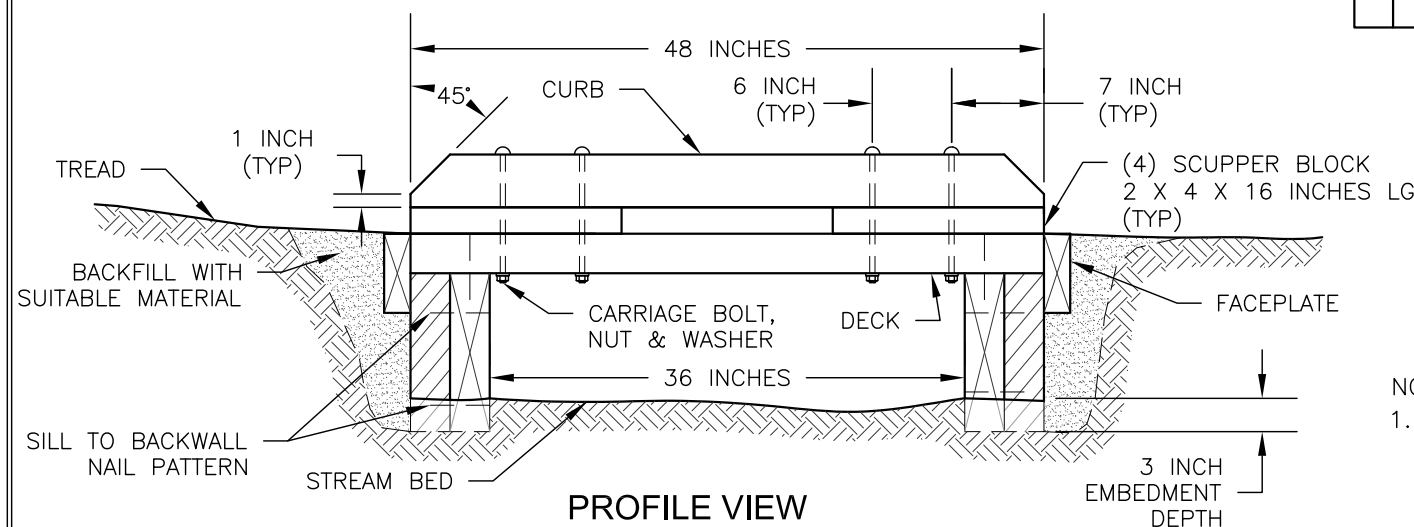


END VIEW

NAIL PATTERN	FACEPLATE TO BACKWALL	30d NAILS @ 12 INCHES ON CENTER.
	SILL TO BACKWALL	30d NAILS IN TWO 6 INCH STAGGERED ROWS, 2 INCH MINIMUM FROM EDGE OF SILL.
	DECK TO SILL	(3) 60d NAILS THROUGH EACH END OF DECK PLANK INTO SILL, 6 INCHES FROM EDGE OF DECK PLANK.



PLAN VIEW



PROFILE VIEW

- NOTES:  
1. COMPACT BACKFILL IN 6 INCH LIFTS UNTIL NO VISUAL DISPLACEMENT.

PRESERVATIVE TREATMENT - (REFER TO AWPA USE CATEGORY SYSTEM)			
PRESERVATIVE TYPE	TREATMENT TYPE	USE CATEGORY	COMMENTS
P1	WB	UC4A	
P2	WB	UC3B	
P3			

TREATMENT TYPE  
WB = WATERBORNE  
OT = OIL-BORNE

USE CATEGORY  
UC3B = ABOVE GROUND - EXPOSED  
UC4A = GROUND CONTACT - GENERAL USE  
UC4B = GROUND CONTACT - HEAVY DUTY