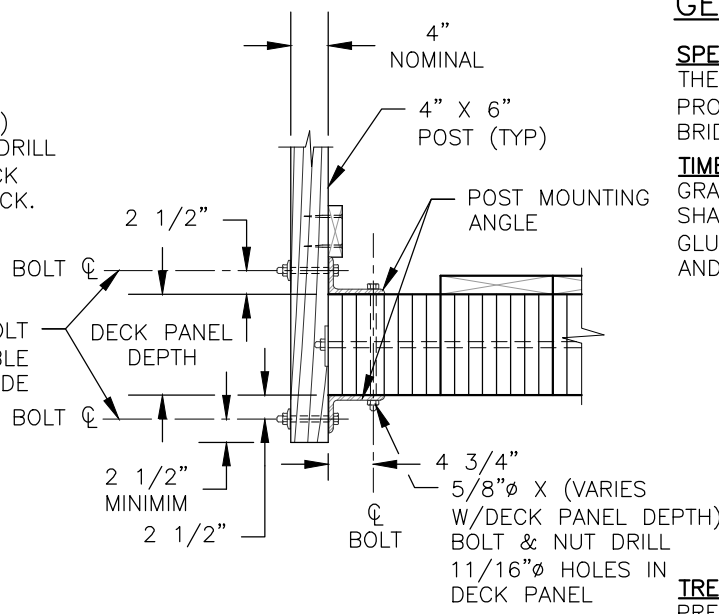


DECK SECTION W/CURBS

*INSIDE FACE TO INSIDE FACE OF CURB STRUCTURE



POST CONNECTION DETAIL

GENERAL NOTES:

SPECIFICATIONS: MATERIALS AND CONSTRUCTION OF THIS STRUCTURE SHALL BE IN ACCORDANCE WITH THE STANDARD SPECIFICATION FOR CONSTRUCTION OF ROADS AND BRIDGES ON FEDERAL HIGHWAY PROJECTS (FP-03) AND STANDARD SPECIFICATIONS FOR CONSTRUCTION OF TRAILS AND TRAIL BRIDGES ON FEDERAL PROJECTS,

TIMBER & LUMBER: SOLID SAWN TIMBER MEMBERS SHALL CONFORM TO THE REQUIREMENTS OF THE GRADING RULES AGENCY FOR THE SPECIES, TYPE, AND GRADE SPECIFIED BELOW. GLULAM MEMBERS SHALL CONFORM TO THE AMERICAN NATIONAL STANDARD, STANDARD SPECIFICATIONS FOR STRUCTURAL GLUED LAMINATED TIMBER OF SOFTWOOD SPECIES (ANSI 117) FOR THE COMBINATION, SPECIES, USE, AND APPEARANCE SPECIFIED BELOW.

GLULAM DECK PANELS

- IDENTIFICATION NUMBER 50, SPECIES - SP WET CONDITION USE AND INDUSTRIAL APPEARANCE
- CURB MEMBERS, SILLS, AND BACKING PLANKS RUNNING PLANKS**
- SOUTHERN PINE ROUGH SAWN NO.2 GRADE, GRADING RULES AGENCY - SPIB

RAILS & POSTS (SEE PROJECT CRITERIA)

- UNTREATED**
- BALDCYPRESS, S4S, NO.1 GRADE GRADING RULES AGENCY - SPIB
 - WHITE OAK, S4S, SELECT STRUCTURAL GRADE GRADING RULES AGENCY - NELMA
- TREATED**
- SOUTHERN PINE, S4S, NO.2 GRADE GRADING RULES AGENCY - SPIB

TREATMENT: SEE PROJECT CRITERIA FOR MEMBERS IDENTIFIED TO BE TREATED AND FOR TREATMENT TYPE. PRESERVATIVE TREATMENT SHALL BE IN ACCORDANCE WITH THE CURRENT AMERICAN WOOD PROTECTION ASSOCIATION (AWPA) SPECIFICATIONS USING THE TREATMENT MATERIALS LISTED BELOW. TREATMENT WILL COMPLY WITH THE REQUIREMENTS OF THE CURRENT EDITION OF WESTERN WOOD PRESERVERS INSTITUTE (WWPI) "BEST MANAGEMENT PRACTICES FOR THE USE OF TREATED WOOD IN AQUATIC ENVIRONMENTS".

GLULAM DECK PANELS

- AWPA USE CATEGORY SYSTEM (U1) FOR USE CATEGORY 3B ABOVE GROUND-EXPOSED (UC3B)
- PENTACHLOROPHENOL IN LIGHT OIL (TYPE C SOLVENT)
- COPPER NAPHTHENATE (CuN) IN LIGHT OIL (TYPE C SOLVENT)

DECKING, RUNNING PLANKS, & RAILING SYSTEM, IF TREATED

- AWPA USE CATEGORY SYSTEM (U1) FOR USE CATEGORY 3B ABOVE GROUND-EXPOSED (UC3B)
- PENTACHLOROPHENOL IN LIGHT OIL (TYPE C SOLVENT)
- COPPER NAPHTHENATE (CuN) IN LIGHT OIL (TYPE C SOLVENT)

SILLS, BACKING PLANKS, CRIBS, TIMBER WALLS, IF TREATED

- AWPA USE CATEGORY SYSTEM (U1) FOR USE CATEGORY 4B GROUND CONTACT-HEAVY DUTY (UC4B)
- PENTACHLOROPHENOL IN HEAVY OIL (TYPE A SOLVENT)
- COPPER NAPHTHENATE (CuN) IN HEAVY OIL (TYPE A SOLVENT)

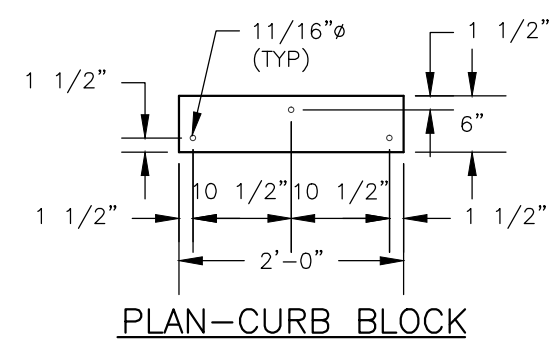
FIELD TREATMENT: COPPER NAPHTHENATE (2% SOLUTION) SHALL BE FURNISHED FOR FIELD TREATING OD WOOD. ALL ABRASIONS AND FIELD CUTS -APPROVED BY THE C.O.R.- SHALL BE CAREFULLY TRIMMED AND GIVEN THREE BRUSH COATS OF THE FIELD TREATMENT SOLUTION. WHERE APPROVED FIELD DRILLING OF BOLT OR NAIL HOLES IS REQUIRED, THE HOLES SHALL BE FILLED WITH PRESERVATIVE PRIOR TO INSERTING THE FASTENERS.

HARDWARE AND STRUCTURAL STEEL: SEE PROJECT DESIGN CRITERIA FOR STEEL HARDWARE FINISH. GALVANIZED OR UNFINISHED HARDWARE SHALL MEET THE REQUIREMENTS OF AASHTO M270, GRADE 36, WITH NUTS AND BOLTS CONFORMING TO ASTM A307, GRADE A. WEATHERING STEEL AND HARDWARE SHALL MEET THE REQUIREMENTS OF AASHTO M270, GRADE 50W, WITH BOLTS AND NUTS CONFORMING TO ASTM A325, TYPE 3. USE MALLEABLE IRON WASHERS AGAINST WOOD UNLESS OTHERWISE NOTED.

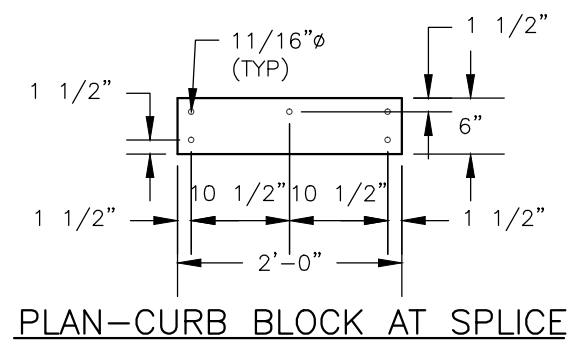
WHEN STRUCTURAL STEEL IS TO BE WELDED, THE WELDING PROCEDURE SHALL BE IN ACCORDANCE WITH AWS D1.1 AND SHALL BE SUITABLE FOR THE GRADE OF STEEL AND INTENDED USE OR SERVICE.

FABRICATION: SUBMIT SHOP DRAWINGS FOR ALL BRIDGE COMPONENTS (EXCEPT TIMBER RUNNING PLANKS). SHOW ALL DIMENSIONS AND FABRICATION DETAILS FOR ALL CUT OR BORED TIMBER. FIELD DRILLING OF HOLES SHALL NOT BE ALLOWED UNLESS OTHERWISE NOTED ON THE PLANS.

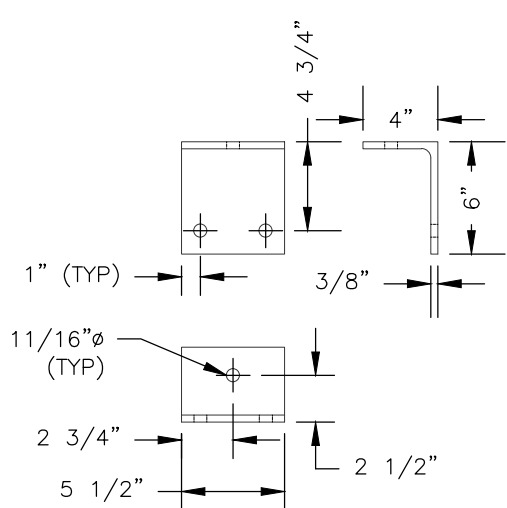
TIE ROD TENSIONING: TIE RODS SHALL BE TORQUED TO 100 FT/LBS UPON INITIAL INSTALLATION OF THE DECK PANEL PANELS. TIE RODS SHALL BE CHECKED FOR PROPER TENSION EACH YEAR FOR THE FOLLOWING 4 YEARS AFTER INSTALLATION. SUBSEQUENT TENSION CHECKS SHALL OCCUR DURING ROUTINE INSPECTIONS UNLESS OTHERWISE NOTED IN THE INSPECTION REPORT.



PLAN-CURB BLOCK

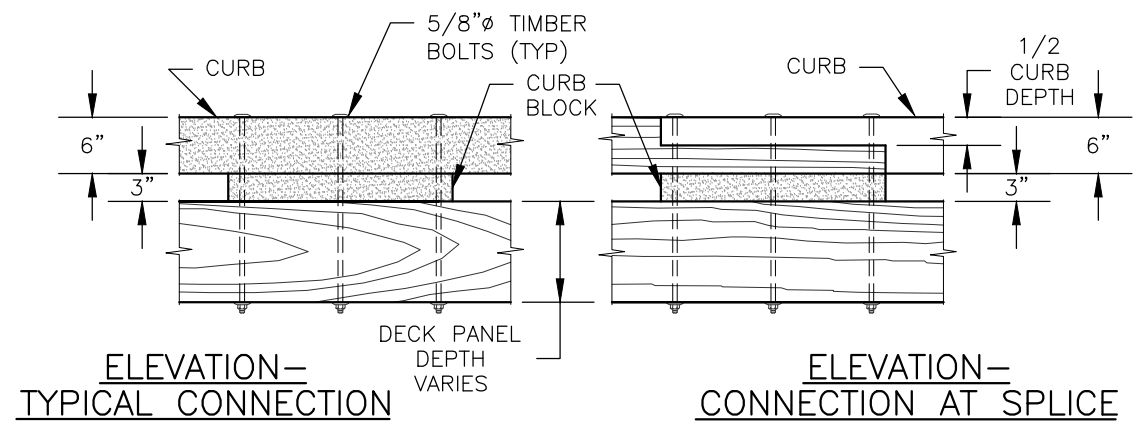


PLAN-CURB BLOCK AT SPLICE



POST MOUNTING ANGLE

MATERIAL = STEEL ANGLE 6" X 4" X 3/8" A36
 QUANTITY REQUIRED = (2)-MOUNTING ANGLES PER POST PER SIDE



ELEVATION-TYPICAL CONNECTION
ELEVATION-CONNECTION AT SPLICE

SOLID SAWN CURB CONNECTION DETAILS