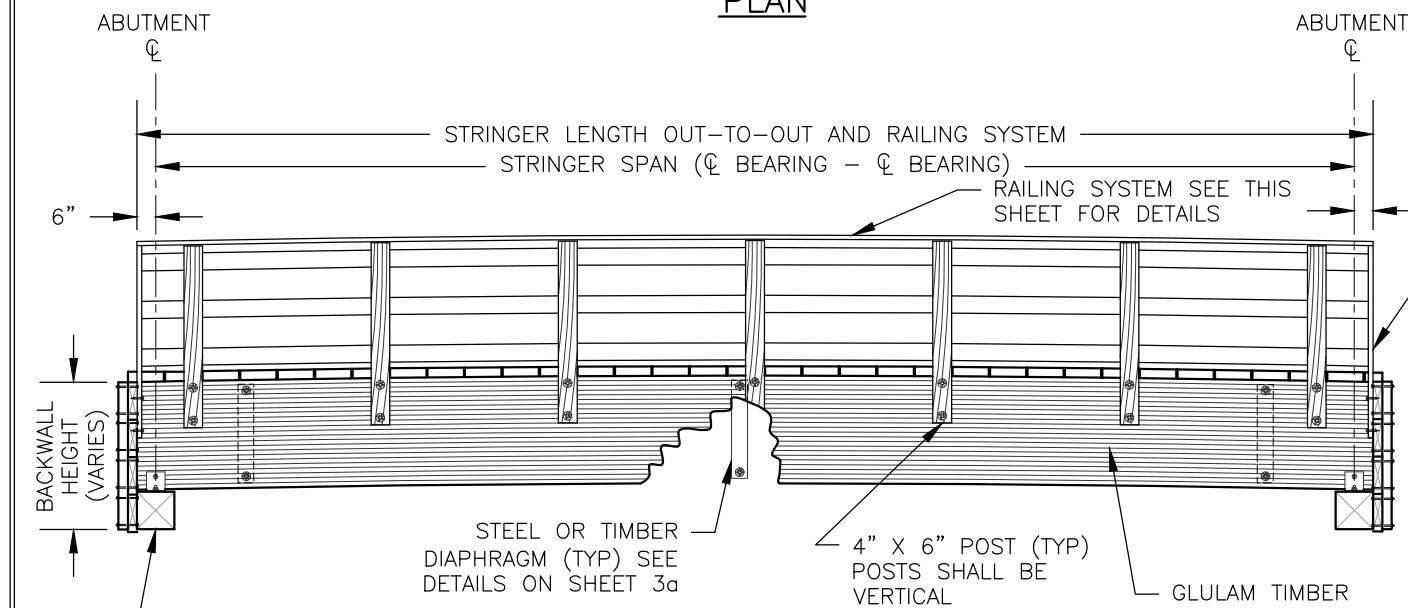


PLAN



ELEVATION

NOTES:

1. FASTEN DECK PLANKS TO STRINGERS WITH TWO ROWS 5/16-INCH DIAMETER X 7-INCH RING SHANK NAILS PER PLANK AT EACH STRINGER. ALTERNATE SIDES.
2. FASTEN RUNNING PLANKS TO DECK WITH 40d (5-INCH RING SHANK) NAILS AT 24-INCH SPACING. ALTERNATE SIDES WITH TWO AT EACH END.
3. SPLICE RAILS AT POSTS. RAILS SHALL BE CONTINUOUS FOR TWO POST SPACES. DO NOT LOCATE MORE THAN ONE RAIL SPLICE AT ANY ONE POST.

2" X 6" X 4'-6" VERTICAL END SUPPORT FOR RAILS (TYP) (2)-16d NAILS INTO EACH RAIL W/(2)-3/8"Ø X 3 1/2" LAG SCREWS AT BASE

2" X 6" S4S RAIL, FASTEN RAILS TO POSTS W/(2)-#10 X 4" WOOD SCREWS AT EACH CONNECTION

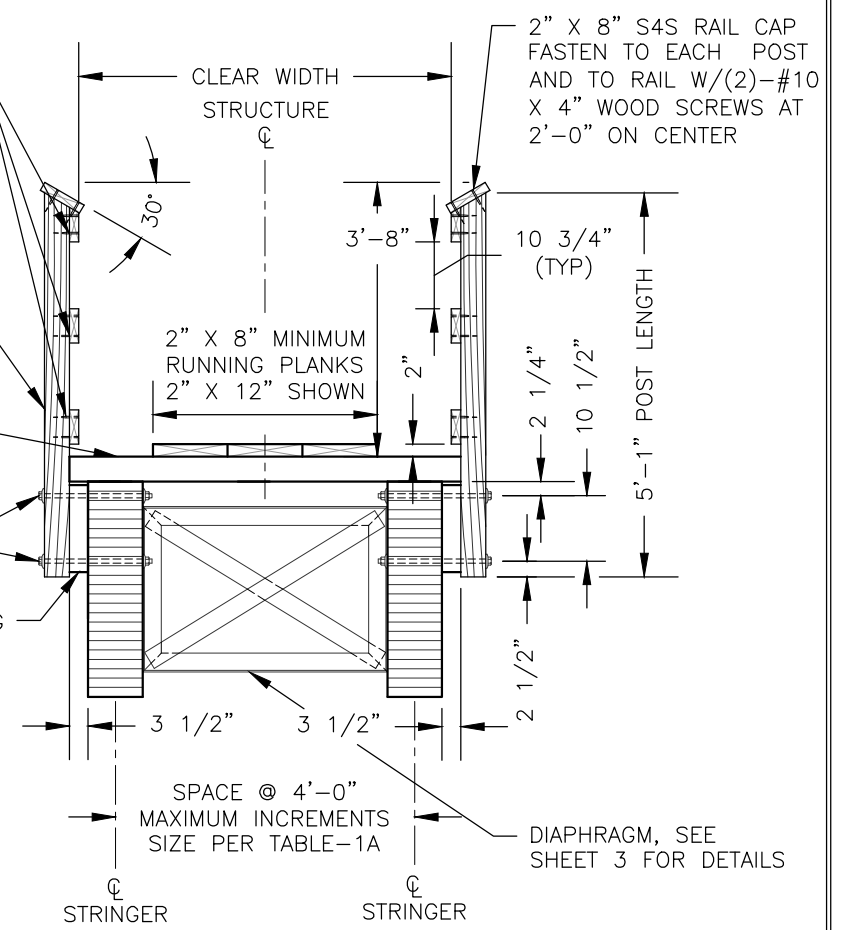
3" X 6" BACKING PLANK STIFFENER ATTACH W/(2)-1/2"Ø BOLTS W/(2)-MALLEABLE IRON WASHERS PER BACKING PLANK SPACED DIAGONALLY FROM EACH OTHER

4" X 6" POST FABRICATE W/TAPERED END (TOP) AND W/(2)-13/16"Ø HOLES AT BOTTOM

4" X 8" MINIMUM DECK PLANKS (4" X 12" SHOWN)

5/8"Ø BOLT X (VERIFY LENGTH) W/NUT AND (2)-OVERSIZED MALLEABLE IRON WASHERS

4" X 6" X 1'-2" S4S BLOCKING



**BRIDGE W/RAILING SYSTEM
DECK SECTION W/STRINGERS @ 4'-0" O.C.**

***TABLE-1B: GLULAM STRINGER SIZE REQUIREMENTS - LRFD**

**STRINGER SPAN (FEET)	SPECIES - SP/SP, COMBINATION SYMBOL 24F - V3				
	DESIGN LOADING IN POUNDS PER SQUARE FOOT				
	PEDESTRIAN LIVE LOAD		GROUND SNOW LOAD		
	***65	90	120	150	200
● 25	5 1/8" x 15 1/8"	5 1/8" x 15 1/8"	5 1/8" x 15 1/8"	5 1/8" x 16 1/2"	5 1/8" x 17 7/8"
● 30	5 1/8" x 16 1/2"	5 1/8" x 17 7/8"	5 1/8" x 17 7/8"	5 1/8" x 19 1/4"	5 1/8" x 20 5/8"
▲ 35	5 1/8" x 20 5/8"	5 1/8" x 22"	5 1/8" x 20 5/8"	5 1/8" x 22"	5 1/8" x 24 3/4"
▲ 40	5 1/8" x 23 3/8"	5 1/8" x 24 3/4"	5 1/8" x 23 3/8"	5 1/8" x 24 3/4"	5 1/8" x 28 7/8"
▲ 45	5 1/8" x 26 1/8"	5 1/8" x 27"	5 1/8" x 26 1/8"	5 1/8" x 30 1/4"	6 3/4" x 28 7/8"
■ 50	5 1/8" x 28 7/8"	5 1/8" x 30 1/4"	5 1/8" x 30 1/4"	6 3/4" x 28 7/8"	6 3/4" x 31 5/8"
■ 55	6 3/4" x 28 7/8"	6 3/4" x 31 5/8"	6 3/4" x 30 1/4"	6 3/4" x 31 5/8"	6 3/4" x 34 3/8"
■ 60	6 3/4" x 31 5/8"	6 3/4" x 34 3/8"	6 3/4" x 33"	6 3/4" x 34 3/8"	6 3/4" x 37 1/8"

- INSTALL DIAPHRAGMS AT MID-SPAN AND WITHIN A DISTANCE OF THE DEPTH FROM THE ABUTMENTS
 - ▲ INSTALL DIAPHRAGMS AT THIRD POINTS OF SPAN AND WITHIN A DISTANCE OF THE DEPTH FROM THE ABUTMENTS
 - INSTALL DIAPHRAGMS AT QUARTER POINTS OF SPAN AND WITHIN A DISTANCE OF THE DEPTH FROM THE ABUTMENTS
- * STRINGER SIZE SHALL BE THE LARGER OF THE PEDESTRIAN OR GROUND SHOW LOAD SIZE REQUIRED FOR THE SITE CONDITIONS
- ** STRINGER LENGTH EQUAL TO STRINGER STRINGER PLUS ONE FOOT
- *** REQUIRES REGIONAL BRIDGE ENGINEER APPROVAL