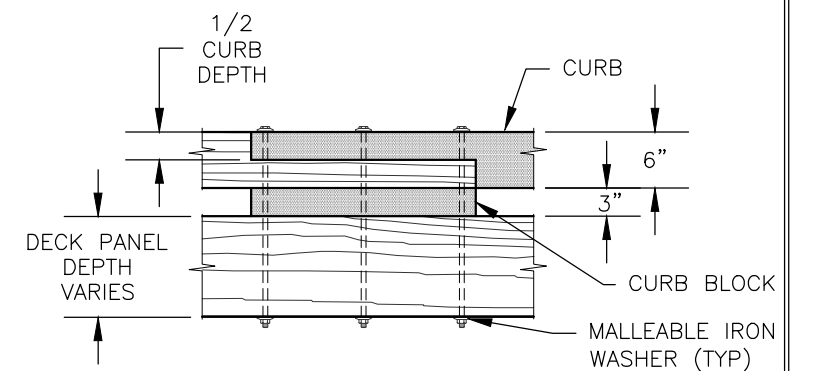
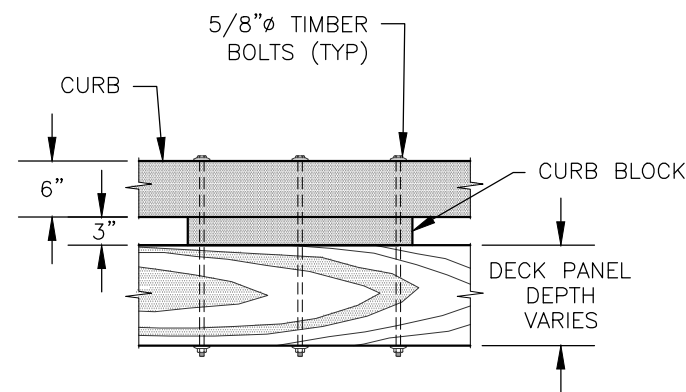


ABUTMENT CONNECTION DETAILS

BACKING PLANKS NOT SHOWN FOR CLARITY

* TIMBER SILL CAN BE EITHER 12" X 12" SOLID SAWN 10 3/4" X 12" GLUE-LAMINATED, BUILT-UP 3" X 12", 4" X 12", & 6" X 12" TREATED MEMBERS.

** SEE STANDARD DRAWINGS 965-10, 965-20, 965-30, & 965-40 FOR FOUNDATION ALTERNATIVES



SOLID SAWN CURB CONNECTION DETAILS