

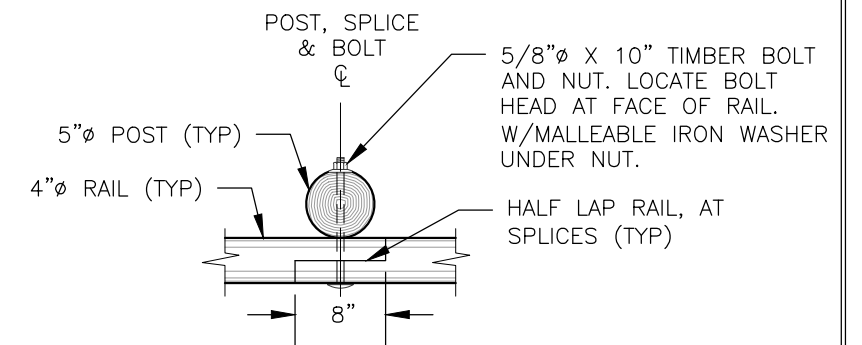
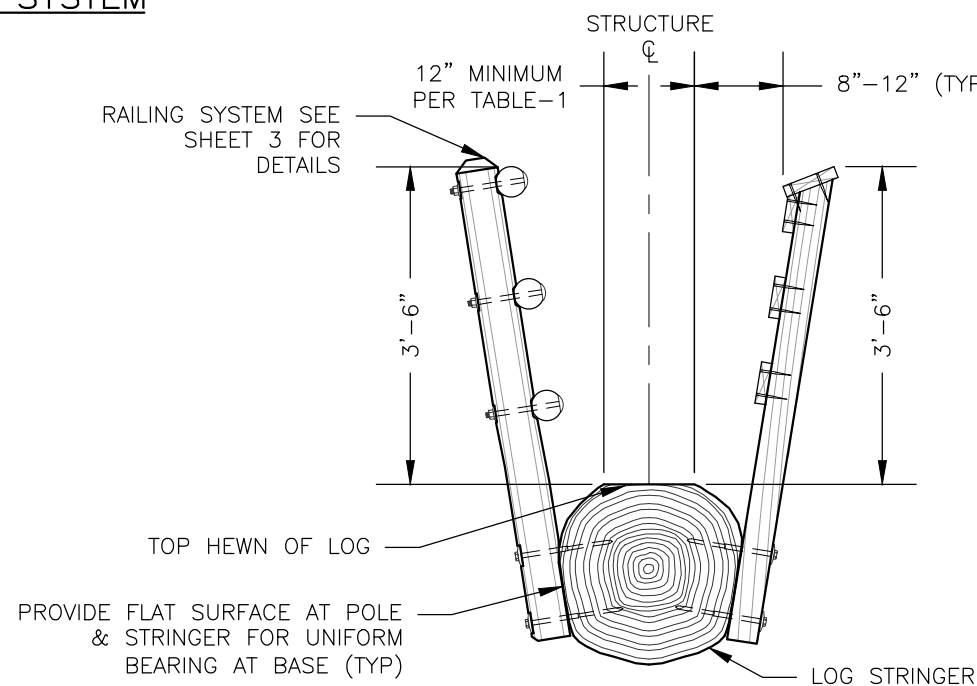
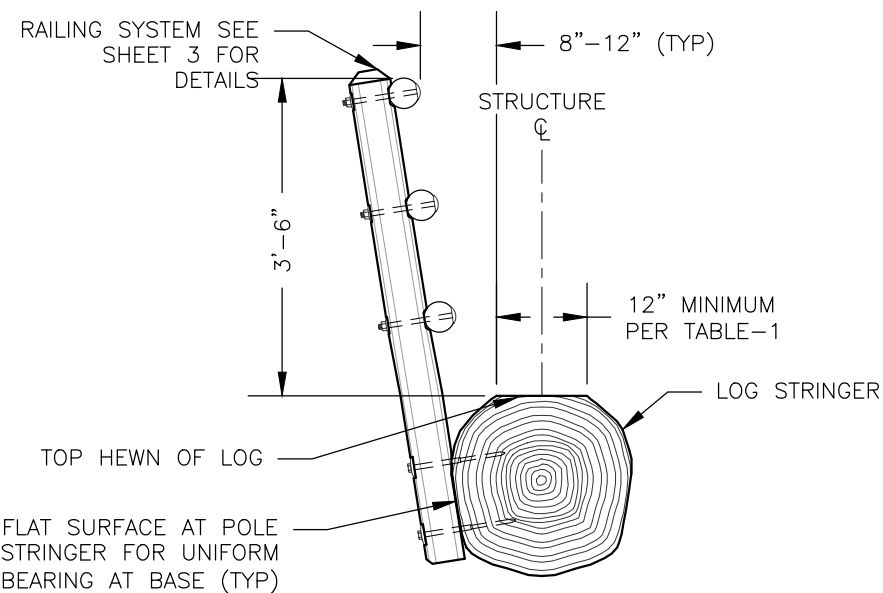
TABLE-1: LOG HEWN INFORMATION

PEELED DIAMETER	HEWN DIMENSION *DEPTH	WIDTH
16"	3"	12"
17"	3"	13"
18"	3 1/2"	14"
19"	4"	15"
20"	4"	16"
21"	4 1/2"	17"
22"	5"	18"
23"	5"	19"
24"	5"	20"

*DO NOT EXCEED HEWN DEPTH SHOWN FOR STRINGER DIAMETER.

MAXIMUM DEPTH OF DAP AT BEARING SHALL NOT EXCEED 10% OF LOG DIAMETER OR 2"

SUBSTRUCTURE SHOWN FOR ILLUSTRATION ONLY. SEE SHEET 4 FOR DETAILS



SPLICE RAILS AT POSTS, RAILS SHALL BE CONTINUOUS FOR A MINIMUM OF TWO POST SPACES. ALTERNATE RAIL SPLICES AT POSTS.