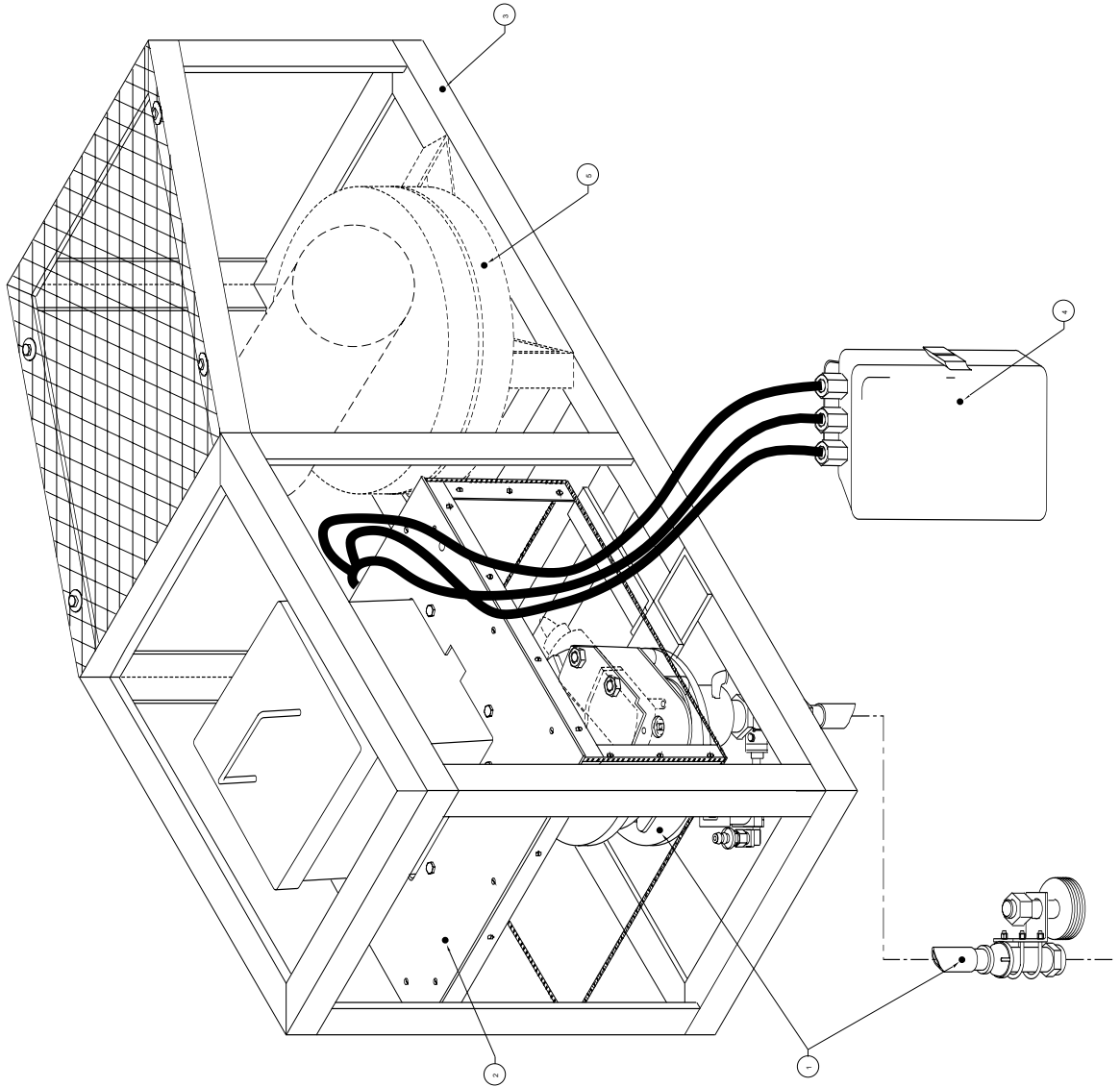


Appendix A—*Borax Applicator Drawing* (12 through 16)

MATERIAL LIST

NO.	PART NAME	QTY	MATERIAL DESCRIPTION	SHEET
1	APPLICATION	1	PARTS 6 THRU 12	127A
2	COVER	1	PARTS 23 THRU 30	9A10
3	FRAME	1	PARTS 41 THRU 56	11
4	ELECTRICAL	1	PARTS 96 THRU 107	12
5	PNEUMATIC	1	PARTS 108 THRU 114	

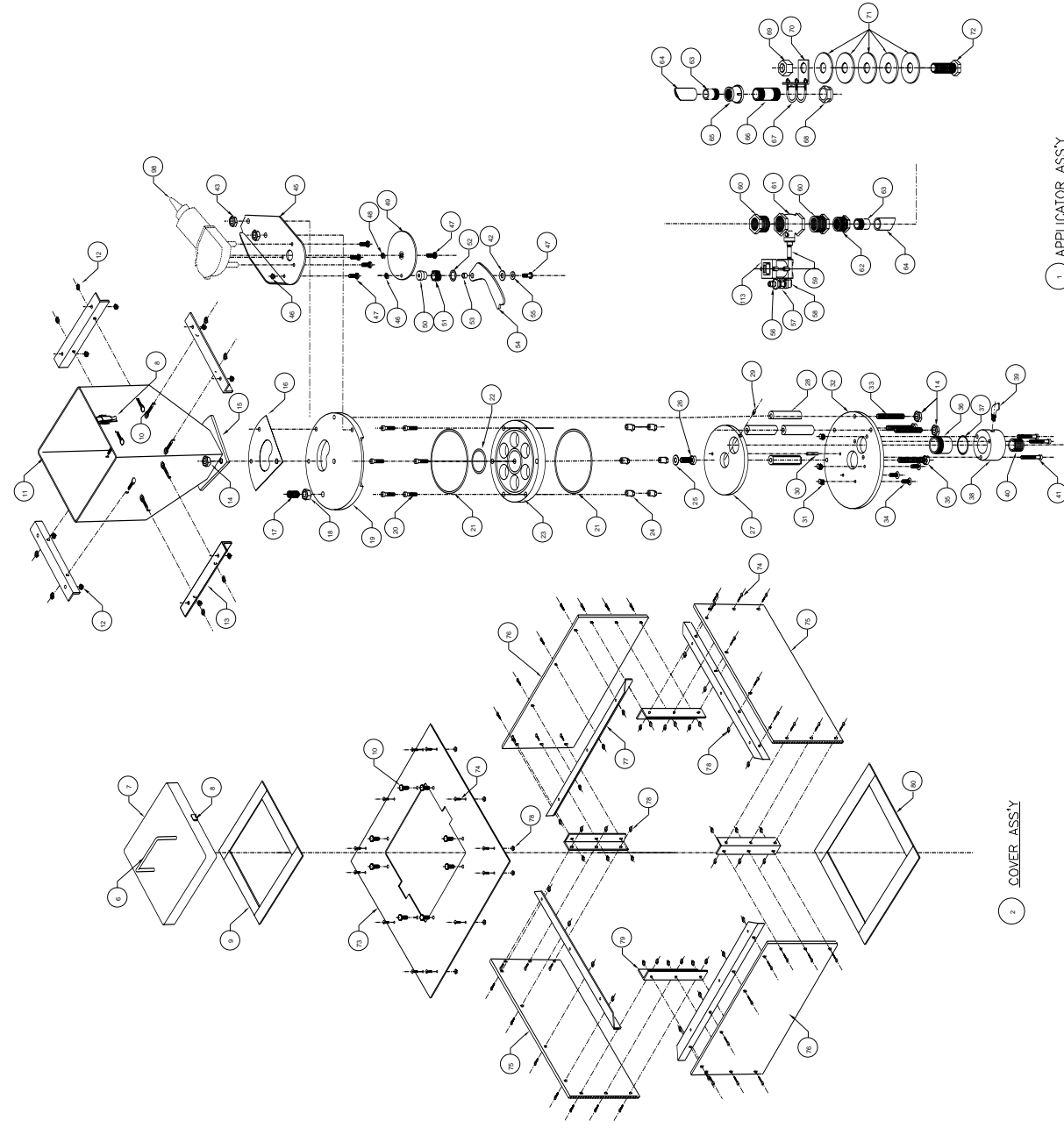


THIS IS A REPRODUCED PART

DATE	REVISION	BY
U. S. DEPT. OF AGRICULTURE FOREST SERVICE TECHNOLOGY & DEVELOPMENT CENTER MISSOURI, U.S.A.		
TITLE		
BORAX APPLICATOR		
DESIGNED	D. MARSH	
CHECKED	D. MARSH	
APPROVED		
SCALE	NONE	
DATE	JAN 1968	
SHEET	1 of 12	MTDC- 971

MATERIAL LIST

NO.	PART NAME	QTY	MATERIAL DESCRIPTION	SHEET
1	COVER	1	PARTS 248	2
2	COVER	1	PARTS 249	2
3	COVER	1	PARTS 250	2
4	COVER	1	PARTS 251	2
5	COVER	1	PARTS 252	2
6	COVER	1	PARTS 253	2
7	COVER	1	PARTS 254	2
8	COVER	1	PARTS 255	2
9	COVER	1	PARTS 256	2
10	COVER	1	PARTS 257	2
11	COVER	1	PARTS 258	2
12	COVER	1	PARTS 259	2
13	COVER	1	PARTS 260	2
14	COVER	1	PARTS 261	2
15	COVER	1	PARTS 262	2
16	COVER	1	PARTS 263	2
17	COVER	1	PARTS 264	2
18	COVER	1	PARTS 265	2
19	COVER	1	PARTS 266	2
20	COVER	1	PARTS 267	2
21	COVER	1	PARTS 268	2
22	COVER	1	PARTS 269	2
23	COVER	1	PARTS 270	2
24	COVER	1	PARTS 271	2
25	COVER	1	PARTS 272	2
26	COVER	1	PARTS 273	2
27	COVER	1	PARTS 274	2
28	COVER	1	PARTS 275	2
29	COVER	1	PARTS 276	2
30	COVER	1	PARTS 277	2
31	COVER	1	PARTS 278	2
32	COVER	1	PARTS 279	2
33	COVER	1	PARTS 280	2
34	COVER	1	PARTS 281	2
35	COVER	1	PARTS 282	2
36	COVER	1	PARTS 283	2
37	COVER	1	PARTS 284	2
38	COVER	1	PARTS 285	2
39	COVER	1	PARTS 286	2
40	COVER	1	PARTS 287	2
41	COVER	1	PARTS 288	2
42	COVER	1	PARTS 289	2
43	COVER	1	PARTS 290	2
44	COVER	1	PARTS 291	2
45	COVER	1	PARTS 292	2
46	COVER	1	PARTS 293	2
47	COVER	1	PARTS 294	2
48	COVER	1	PARTS 295	2
49	COVER	1	PARTS 296	2
50	COVER	1	PARTS 297	2
51	COVER	1	PARTS 298	2
52	COVER	1	PARTS 299	2
53	COVER	1	PARTS 300	2
54	COVER	1	PARTS 301	2
55	COVER	1	PARTS 302	2
56	COVER	1	PARTS 303	2
57	COVER	1	PARTS 304	2
58	COVER	1	PARTS 305	2
59	COVER	1	PARTS 306	2
60	COVER	1	PARTS 307	2
61	COVER	1	PARTS 308	2
62	COVER	1	PARTS 309	2
63	COVER	1	PARTS 310	2
64	COVER	1	PARTS 311	2
65	COVER	1	PARTS 312	2
66	COVER	1	PARTS 313	2
67	COVER	1	PARTS 314	2
68	COVER	1	PARTS 315	2
69	COVER	1	PARTS 316	2
70	COVER	1	PARTS 317	2
71	COVER	1	PARTS 318	2
72	COVER	1	PARTS 319	2
73	COVER	1	PARTS 320	2
74	COVER	1	PARTS 321	2
75	COVER	1	PARTS 322	2
76	COVER	1	PARTS 323	2
77	COVER	1	PARTS 324	2
78	COVER	1	PARTS 325	2
79	COVER	1	PARTS 326	2
80	COVER	1	PARTS 327	2
81	COVER	1	PARTS 328	2
82	COVER	1	PARTS 329	2
83	COVER	1	PARTS 330	2
84	COVER	1	PARTS 331	2
85	COVER	1	PARTS 332	2
86	COVER	1	PARTS 333	2
87	COVER	1	PARTS 334	2
88	COVER	1	PARTS 335	2
89	COVER	1	PARTS 336	2
90	COVER	1	PARTS 337	2
91	COVER	1	PARTS 338	2
92	COVER	1	PARTS 339	2
93	COVER	1	PARTS 340	2
94	COVER	1	PARTS 341	2
95	COVER	1	PARTS 342	2
96	COVER	1	PARTS 343	2
97	COVER	1	PARTS 344	2
98	COVER	1	PARTS 345	2
99	COVER	1	PARTS 346	2
100	COVER	1	PARTS 347	2
101	COVER	1	PARTS 348	2
102	COVER	1	PARTS 349	2
103	COVER	1	PARTS 350	2
104	COVER	1	PARTS 351	2
105	COVER	1	PARTS 352	2
106	COVER	1	PARTS 353	2
107	COVER	1	PARTS 354	2
108	COVER	1	PARTS 355	2
109	COVER	1	PARTS 356	2
110	COVER	1	PARTS 357	2
111	COVER	1	PARTS 358	2
112	COVER	1	PARTS 359	2
113	COVER	1	PARTS 360	2



1 COVER ASSY

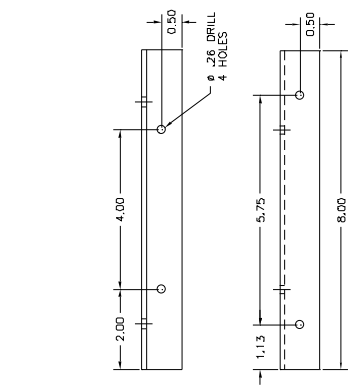
2 APPLICATOR ASSY

INTRA RECORDS V. 25 2011

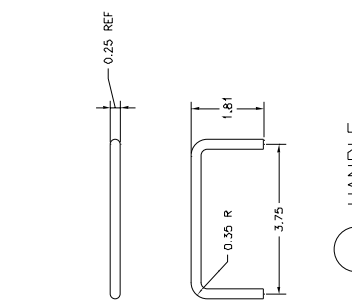
DATE	REVISION	BY
U. S. DEPT. OF AGRICULTURE FOREST SERVICE TECHNOLOGY & DEVELOPMENT CENTER MISSOULA, MONTANA		
TITLE BORAX APPLICATOR COVER & APPLICATOR ASSY		
DATE	SHEET	OF
NOV 1988	2	12
DATE	NOV 1988	MTDC-
		971

MATERIAL LIST

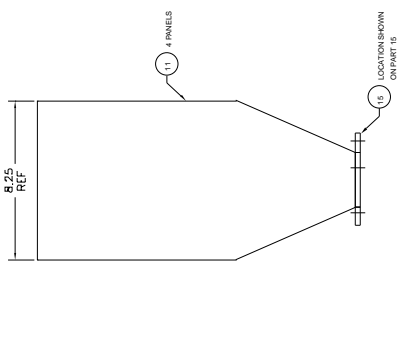
NO	PART NAME	QTY	MATERIAL DESCRIPTION	SHEET
6	HANDLE	1	1/4" HOT ROLLED ROUND STOCK	
7	LID	1	1/8" MILD STEEL	
9	GASKET	1	1/8" X 3/4" X 1/4" CLOSED CELL WEATHER STRIPPING	
11	PANEL	4	1/8" MILD STEEL	
13	BRACKET	4	1/8" X 1/4" STEEL ANGLE	



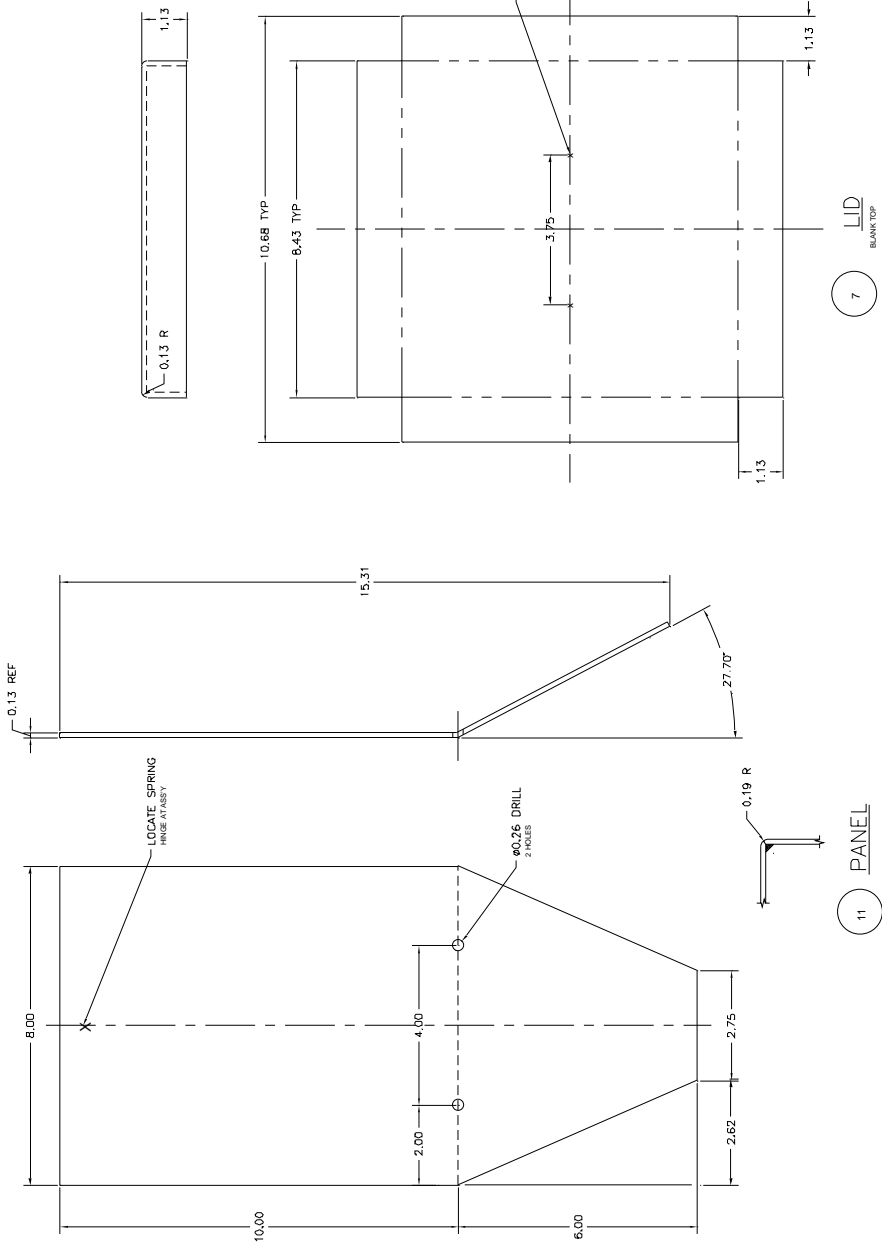
13 BRACKET



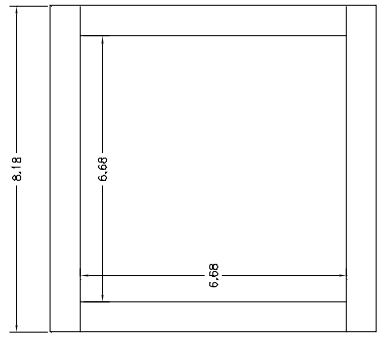
6 HANDLE



11 PANEL



7 LID



9 GASKET

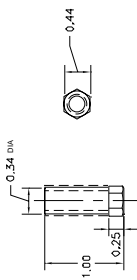
1.13 REF. 0.26 REF. 1.13 REF.

DATE	REVISION	BY

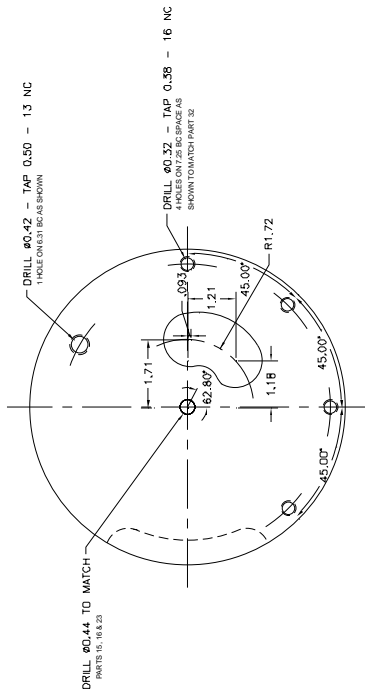
TRANSMITTER FACTORY MODEL NUMBER	U.S. DEPT. OF AGRICULTURE FOREST SERVICE TECHNOLOGY & DEVELOPMENT CENTER MISSOULA, MONTANA
DRAWN DESIGNED CHECKED APPROVED SCALE DATE	D. MACKO D. MARESKY D. MARESKY D. MARESKY FULL NOV 1988
TITLE BORAX APPLICATOR APPLICATOR DETAILS	SHEET 3 OF 12 MTDC- 971

MATERIAL LIST

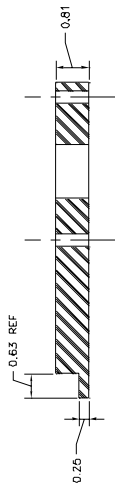
NO	PART NAME	REQD	MATERIAL DESCRIPTION	SHEET
15	MOUNTING BRACKET	1	1/4 PLATE - 407 OF CO300100	
16	GASKET	1	1/4" O.D. X 1/8" THICK	
17	DETENT	1	1/4" DIA X 1/8" DEEP	
18	NUT	1	MASTER CARB PART #K140100 EQUAL	
19	METERING DISK	1	1/4" X 3/8" NC FIBER LOCK HEX NUT	
20	METERING WHEEL	1	1/4" X 3/8" NC FIBER LOCK HEX NUT	
21	METERING WHEEL	1	1/4" X 3/8" NC FIBER LOCK HEX NUT	
24	HEX COUPLING NUT	6	1/4" X 3/8" NC HEX COUPLING NUT	



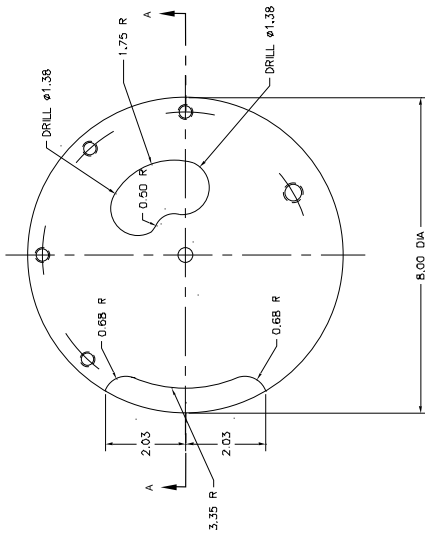
24 HEX COUPLING NUT
SCALE: X2



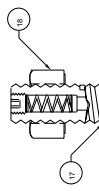
BOTTOM VIEW



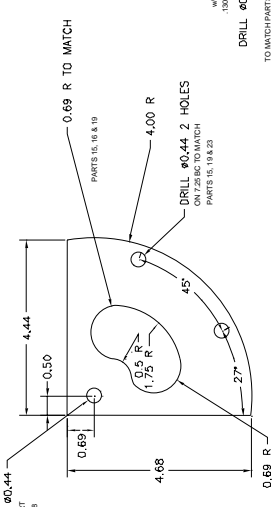
SECTION AA



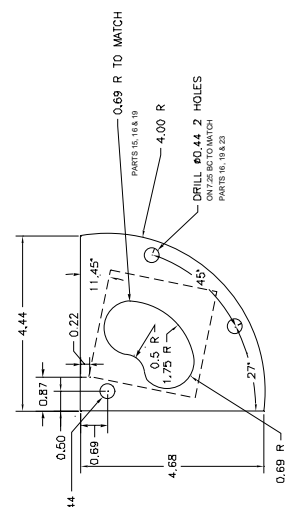
19 METERING DISK UPPER COVER
TOP VIEW



17 DETENT DETAIL
SCALE: X2

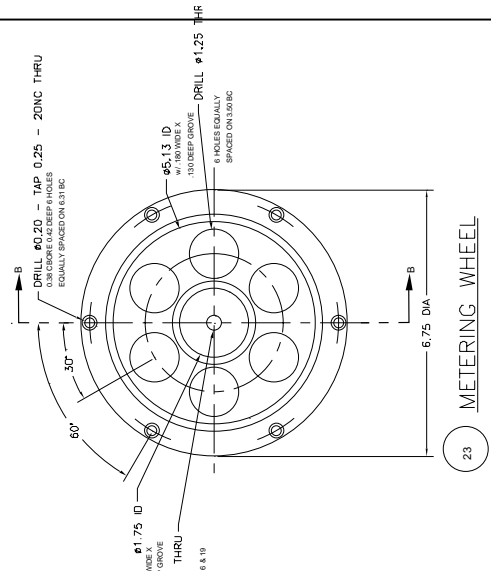
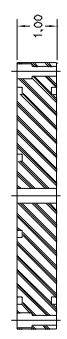


16 GASKET



15 MOUNTING BRACKET

SECTION BB



23 METERING WHEEL

DATE	REVISION	BY

THIS IS A REPRODUCED PRINT

DESIGNED	D. MACKO
CHECKED	D. MACKO
APPROVED	D. MACKO
SCALE	FULL & NOTED
DATE	NOV 1988

TITLE
BORAX APPLICATOR
APPLICATOR DETAILS

U. S. DEPT. OF AGRICULTURE
FOREST SERVICE
TECHNOLOGY & DEVELOPMENT CENTER
MISSOULA, MONTANA

SHEET 4 OF 12
MTDC- 971