

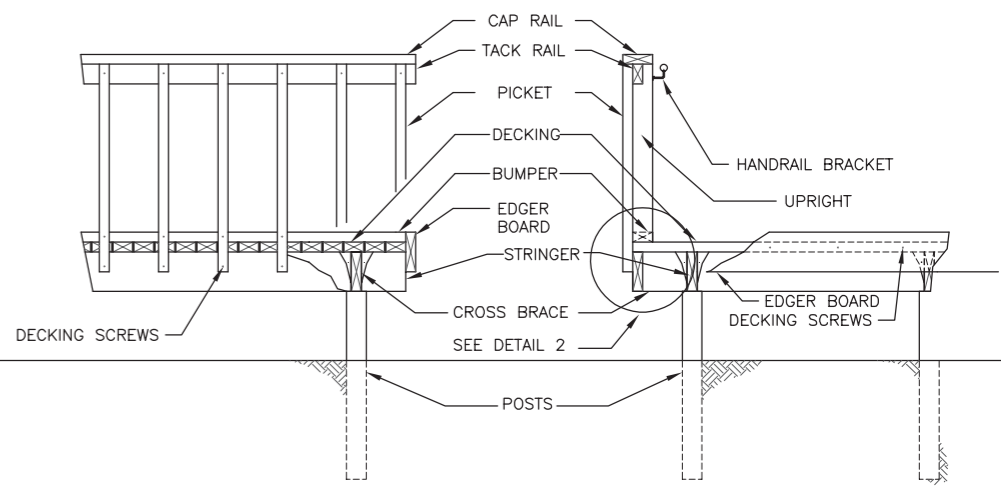
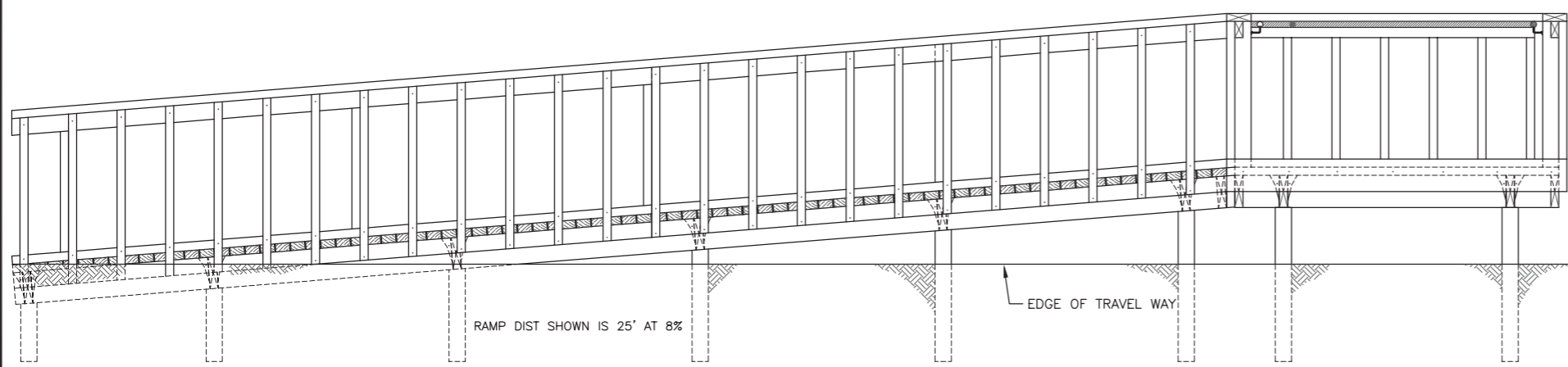
NOTES:

1. SEE SHEET 7 FOR ACCESSIBILITY RULES FOR RAMPS AND HANDRAILS.
2. USE 1/2" SPACERS AS NEEDED UNDER BUMPERS AS MINIMUM HEIGHT FOR BUMPERS IS 2".
3. REINFORCE ENDS OF HANDRAILS IF NECESSARY FOR LOCAL AREA VANDALISM.

Copies of these drawings have been distributed for review. Final approval and signature are pending.

DRAFT

These files are public property and are not for resale. Users of these files are presumed to be professional personnel adequately trained to interpret and adopt them according to local conditions and current and applicable State and local codes. The user assumes all liability for the suitability of their use.



FRONT ELEVATION

CONSTRUCTION DETAIL SIDE VIEW

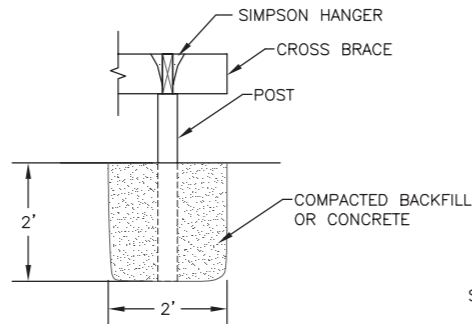
PLATFORM

CONSTRUCTION DETAIL FRONT VIEW

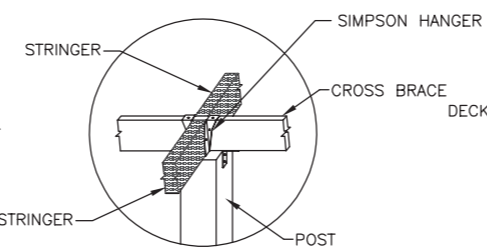
MATERIALS

- 2 X 6
- 2 X 4
- 2 X 2
- 2 X 4
- 2 X 4
- 2 X 4
- 2 X 4
- 2 X 8
- 2 X 8
- 2 X 8
- SIMPSON POST FRAME HANGER
- 4 X 4
- SEE SHEET 7
- SEE SHEET 7

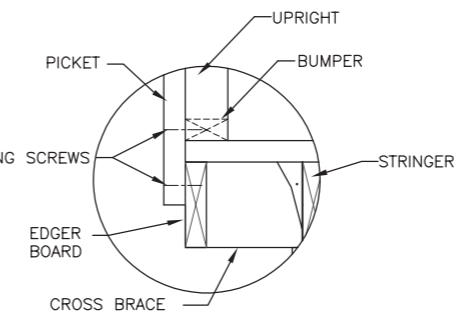
- CAP RAIL
- TACK RAIL
- PICKET
- DECKING
- BUMPER
- UPRIGHT
- EDGER BOARD
- STRINGERS
- CROSS BRACES
- BRACKET
- POST
- HANDRAIL
- HANDRAIL BRACKET
- DECKING SCREW



POST DETAIL



DETAIL 1



DETAIL 2

UNLESS OTHERWISE SPECIFIED	DATE	REVISION	BY
TOLERANCES: FRACTIONS +/- DECIMALS +/- ANGLES +/- DIMENSIONS ARE IN INCHES BREAK SHARP EDGES			
DRAWN D.MUCCI		U. S. DEPT. OF AGRICULTURE FOREST SERVICE TECHNOLOGY & DEVELOPMENT CENTER MISSOULA, MONTANA	
DESIGNED MUCCI/ORAVETZ		TITLE ACCESSIBLE BOAT RAMP FOR DRY LAND LOADING & UNLOADING	
CHECKED ORAVETZ		979-6.DWG	
APPROVED ORAVETZ		SCALE NONE	
SCALE NONE		DATE JAN 2000	
DATE JAN 2000		SHEET 6 OF 8	MTDC- 979