

TABLE: 1

PEELED DIAMETER	HEWN DIMENSION DEPTH*	WIDTH
16"	3"	12"
17"	3"	13"
18"	3 1/2"	14"
19"	4"	15"
20"	4"	16"
21"	4 1/2"	17"
22"	5"	18"
23"	5"	19"
24"	5"	20"

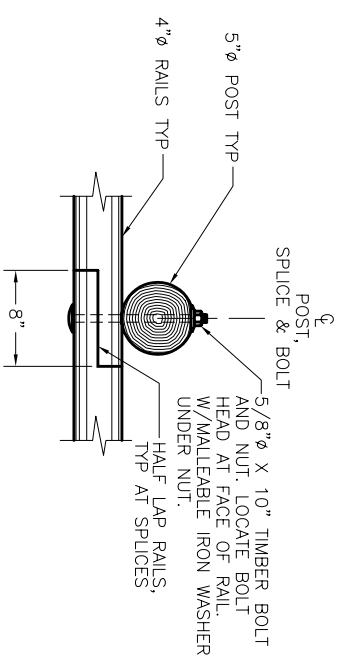
* DO NOT EXCEED HEWN DEPTH SHOWN FOR STRINGER DIAMETER.

LOG STRINGER DAPPING

SCALE: 1" = 1'-0"
MAXIMUM DEPTH OF DAP AT BEARING SHALL NOT EXCEED 10% OF LOG DIAMETER OR 2"

SUPERSTRUCTURE

SCALE: 1/2" = 1'-0"



PLAN-POLE RAIL SPLICE DETAIL

NOTE: SPLICE RAILS AT POSTS. RAILS SHALL BE CONTINUOUS FOR A MINIMUM OF TWO POST SPACES. ALTERNATE RAIL SPLICES AT POSTS.

APPROVED:

FOREST ENGINEER DATE

DWG NO.

DO NOT SCALE DRAWING

REV	DESCRIPTION	APPROVED	DATE
Δ	REVISED TO R-6 STRUCTURES CAD STANDARDS	MOE	3/24/06

U.S. DEPARTMENT OF AGRICULTURE
FOREST SERVICE
THE PACIFIC NORTHWEST REGION (R-6)

SINGLE LOG STRINGER
10 FT - 45 FT LONG
TRAIL BRIDGE

Designed: _____ Drawn: _____ Checked: _____
Forest Bridge No.: _____ Loading Length: _____ Width: _____
Approved: /s/ MERVIN O. ERIKSSON REGIONAL BRIDGE ENGINEER Date: 03/01/2004