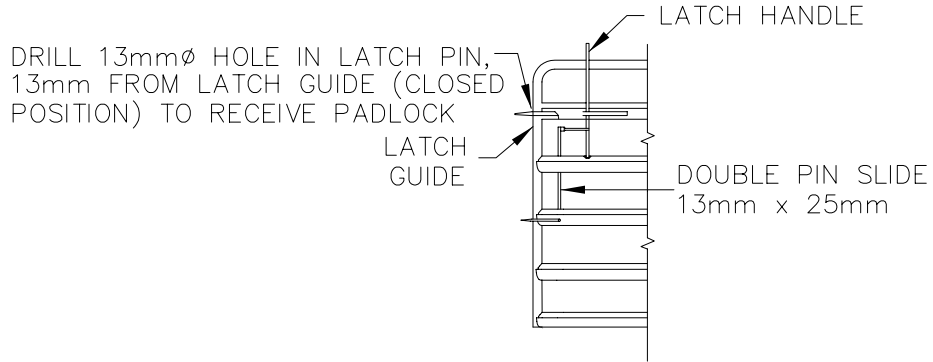


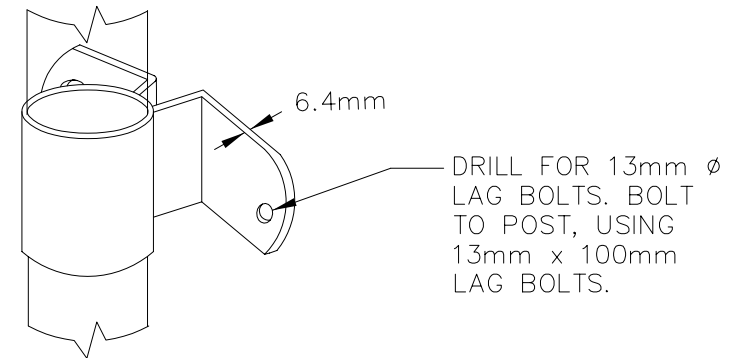
STOCKYARD GATE – OPTION 2

PROJECT	SHEET	TOTAL SHEETS
---------	-------	--------------

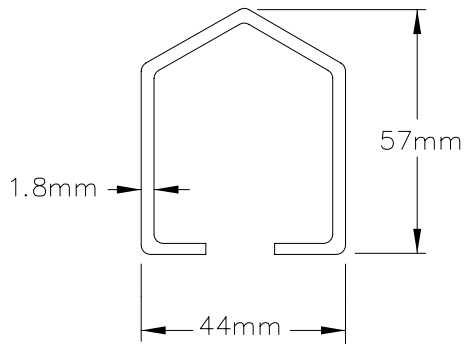
LATCH DETAIL



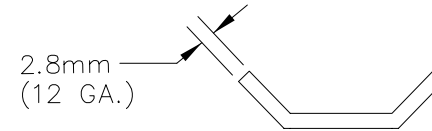
HINGE DETAIL



RAIL SECTION DETAIL



FORMED STAY DETAIL



OPENING	HEIGHT(H)	LENGTH(L)	NO. FORM STAYS
3.05m	1.32m	2.97m	1
3.60m	1.32m	3.58m	2
4.27m	1.32m	4.19m	3
4.88m	1.32m	4.80m	4
5.49m	1.32m	5.41m	4
6.10m	1.32m	6.02m	4

SIZE CHART