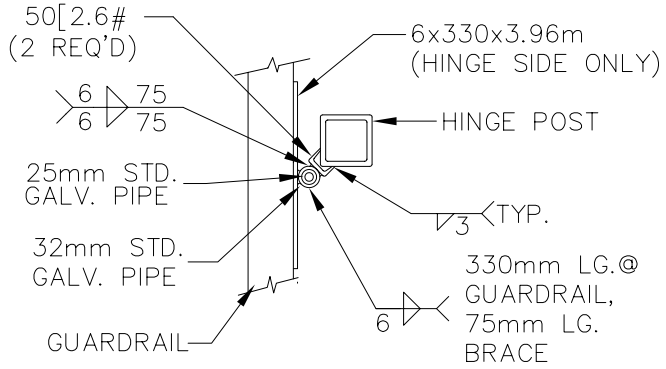
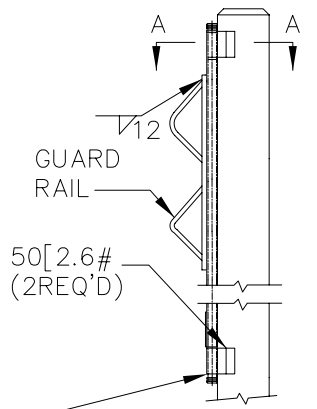


# GATE BARRIER — RAIL TYPE

PROJECT	SHEET	TOTAL SHEETS
---------	-------	--------------

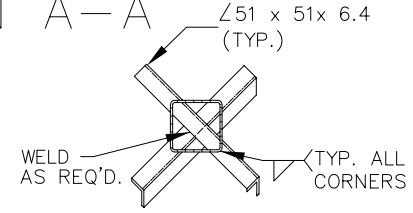
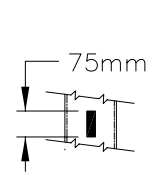
SHEET 2 OF 2

**HINGE DETAIL**



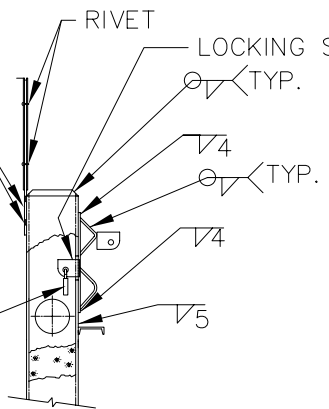
32mm STD. GALV. PIPE CAP BOTH ENDS, 6mm DRILL THRU PIPE & CAP INSTALL MALLEABLE RIVET TYP

**SECTION A-A**

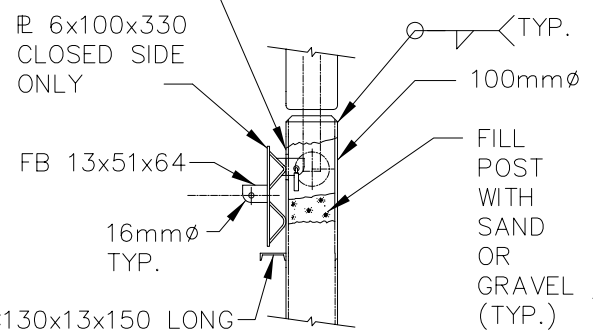


**POST ANCHOR DETAIL**

FB 6x51x450 TYP 2 PLACES EACH SIDE



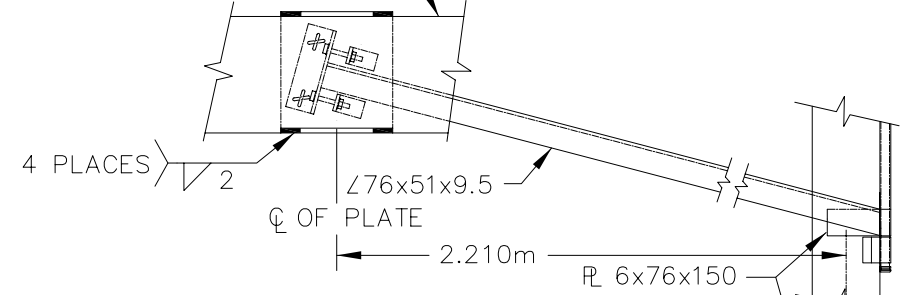
**CLOSED POSITION LOCKING POST & GATE**



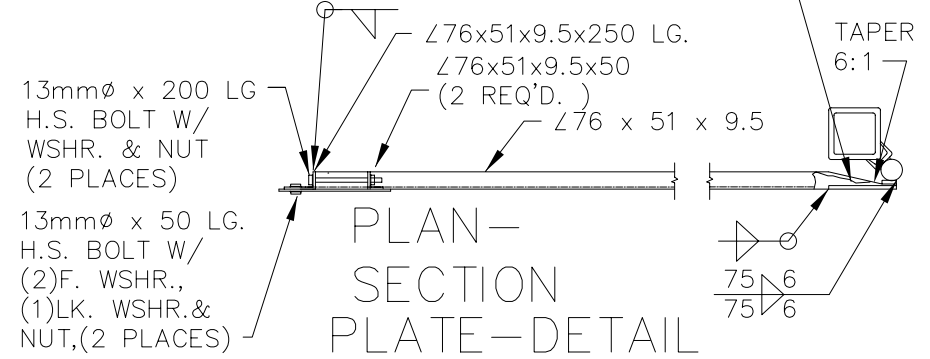
**OPEN POSITION LOCKING POST & GATE**

NOTE: ALL DIMENSIONS ARE mm UNLESS OTHERWISE NOTED.

**GUARDRAIL**



**ELEV.—PARTIAL**



**PLAN-SECTION PLATE-DETAIL**

13mmØ x 200 LG H.S. BOLT W/ WSHR. & NUT (2 PLACES)  
 13mmØ x 50 LG. H.S. BOLT W/ (2)F. WSHR., (1)LK. WSHR. & NUT, (2 PLACES)

**ADJUSTABLE BRACE DETAILS**

