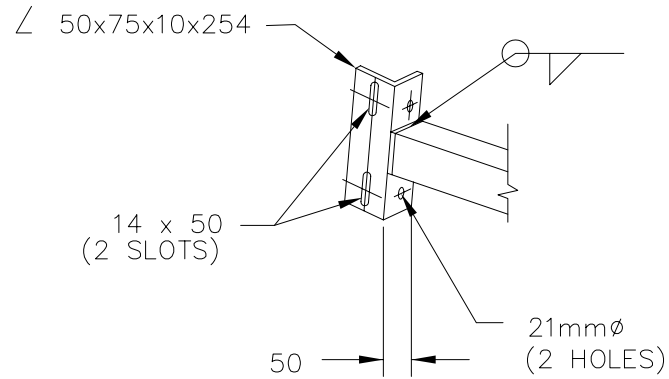
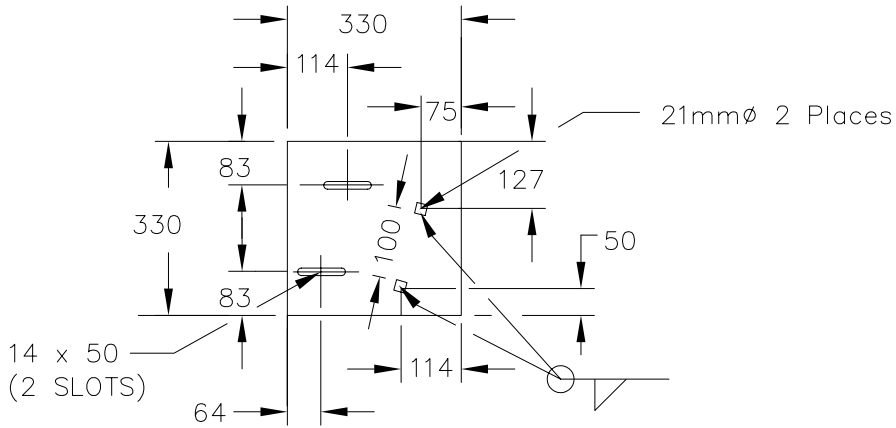
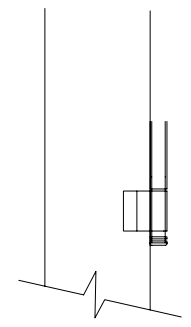
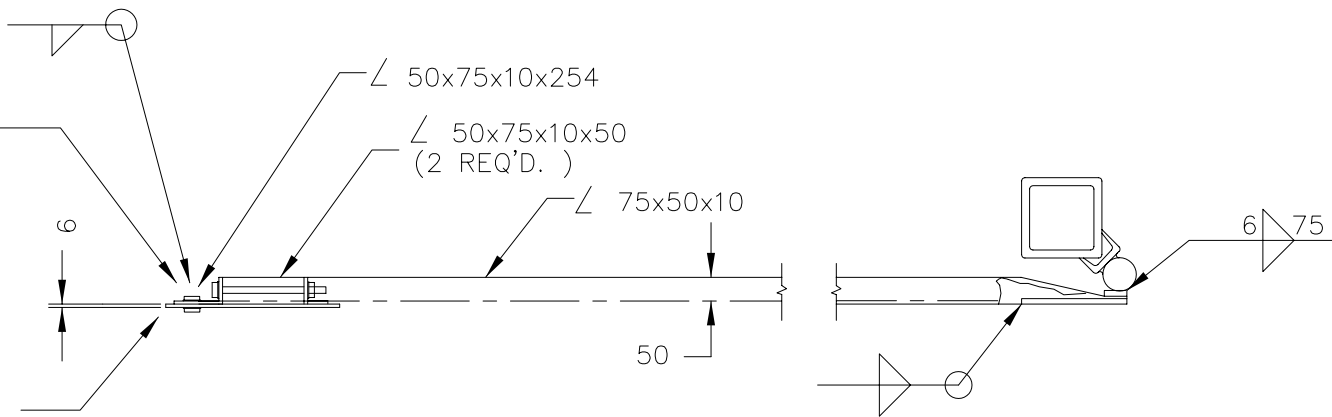


PROJECT	SHEET	TOTAL SHEETS

13mm ϕ x 203
H.S. BOLT W/
WSHR. & NUT
(2 PLACES)

13mm ϕ x 50
H.S. BOLT W/
(2)F. WSHR.,
(1)LK. WSHR.&
NUT,(2 PLACES)



NOTE: ALL DIMENSIONS ARE IN mm UNLESS OTHERWISE NOTED.

PLATE-DETAIL