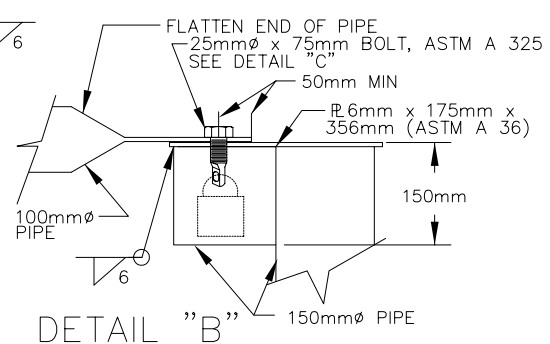
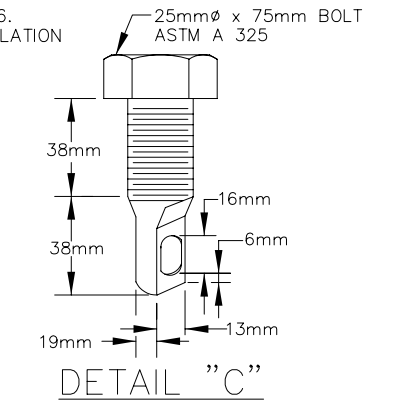
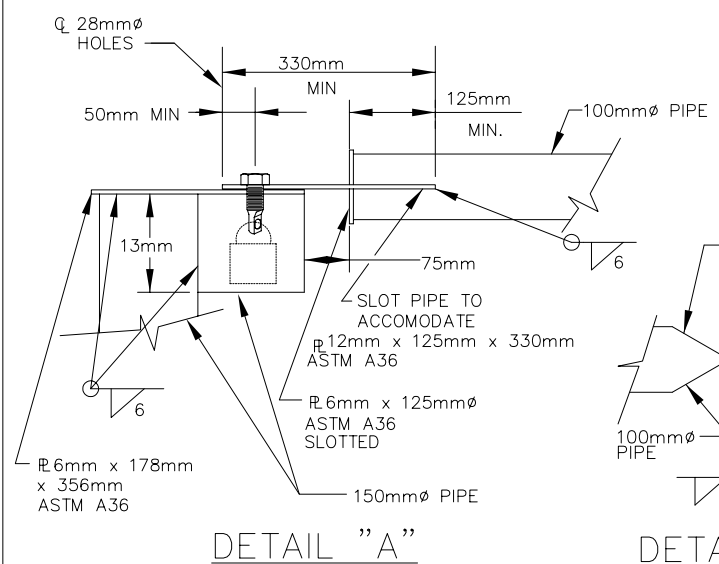
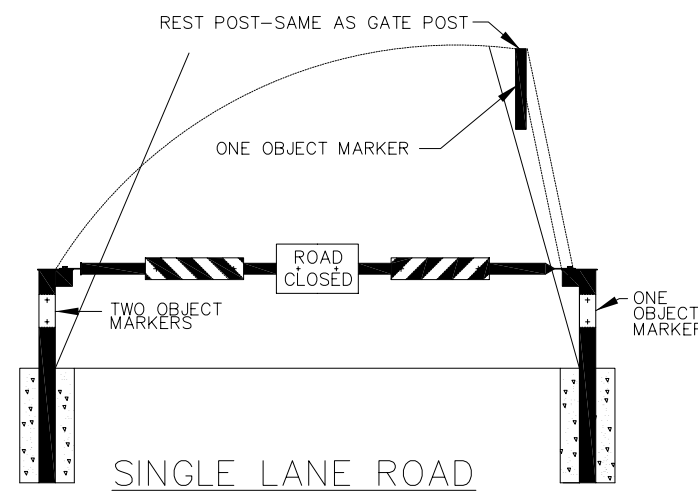
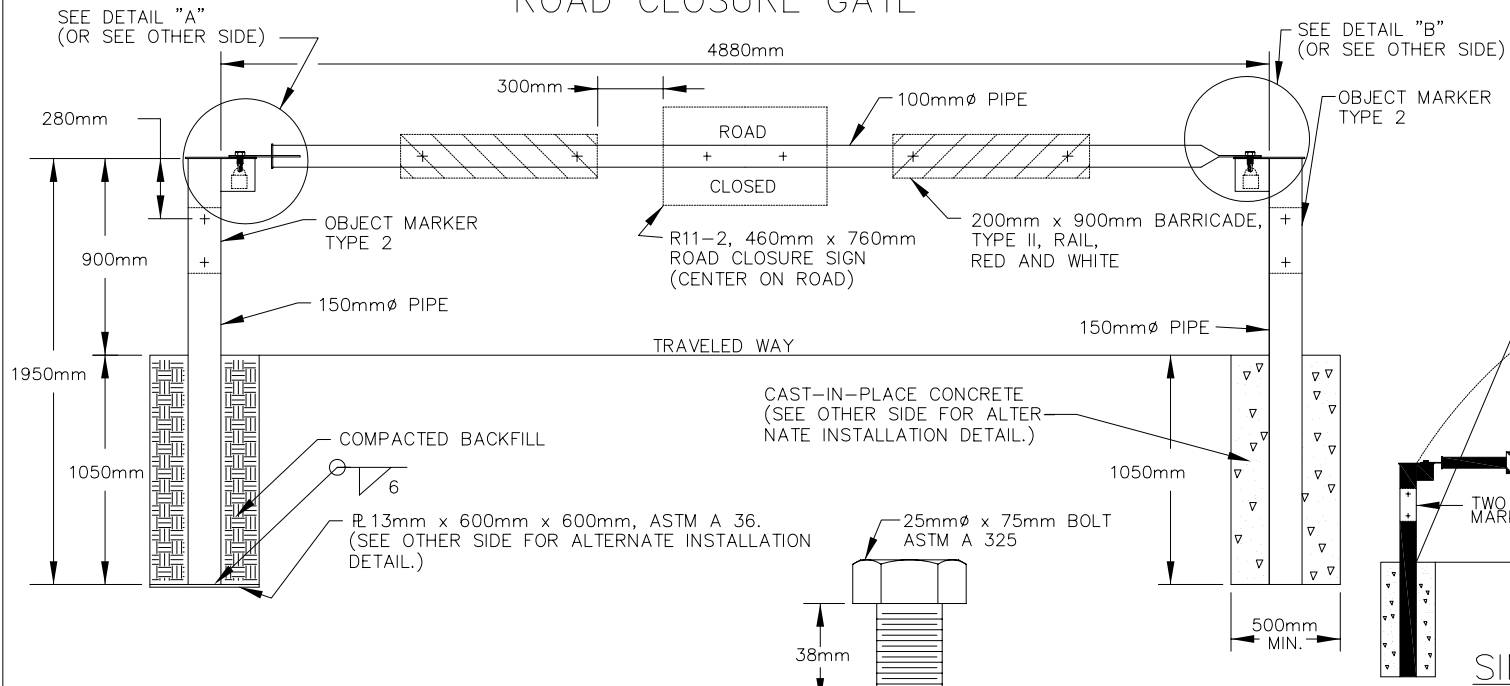


HEAVY WEIGHT ROAD CLOSURE GATE

ROAD NUMBER	SHEET NUMBER	TOTAL SHEETS



NOTES:

1. PIPE SHALL MEET THE REQUIREMENTS OF ASTM A53 GRADE B.
2. PIPE SIZES SHOWN ARE FOR STANDARD WEIGHT BLACK IRON PIPE.
3. GATES WILL RECEIVE ONE COAT OF PAINT AFTER FABRICATION. PAINT COLOR TO BE SELECTED BY THE ENGINEER. SURFACE PREPARATION AND PRIMING SHALL BE AS RECOMMENDED BY THE PAINT MANUFACTURER.
4. CONCRETE SHALL BE IN ACCORDANCE WITH SPECIFICATION 602 - METHOD C.
5. ROAD CLOSURE SIGN AND TYPE II BARRICADE PANELS WILL BE SECURED WITH TWO EACH, 8mm Ø x 150mm BOLTS WITH NUTS. TYPE 2, OBJECT MARKERS WILL BE SECURED WITH TWO EACH, 8mm Ø x 175mm BOLTS WITH NUTS.
6. THE CONTRACTOR SHALL SELECT EITHER DETAIL "A" OR DETAIL "B" AS THE END CONFIGURATION FOR THE 100mm DIAMETER PIPE.
7. THE ROAD CLOSED SIGN, BARRICADE RAILS, OBJECT MARKERS AND PADLOCKS TO BE GOVERNMENT FURNISHED.