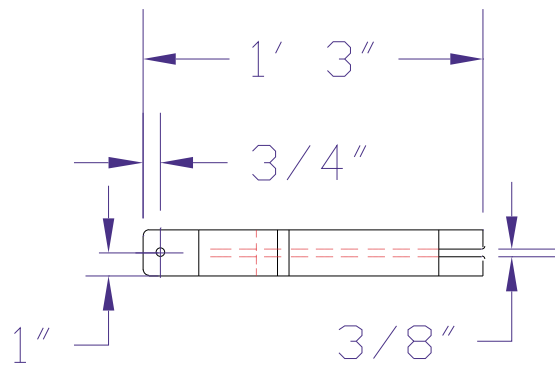
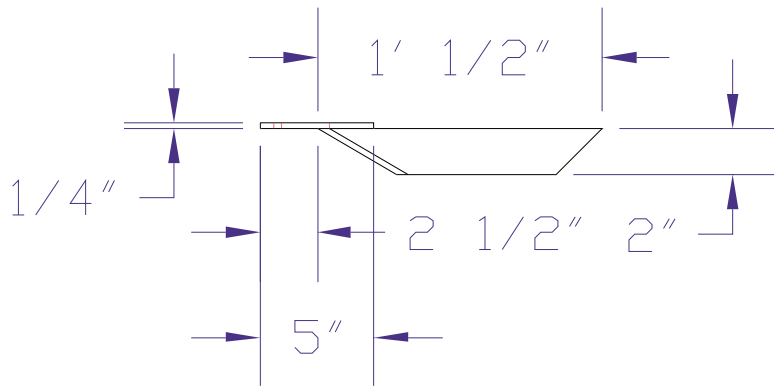


OBS-3 Turbidity Sensor Housing



Redwood Sciences Laboratory
USDA Forest Service
Revised: 10/22/2002
Rand Eads