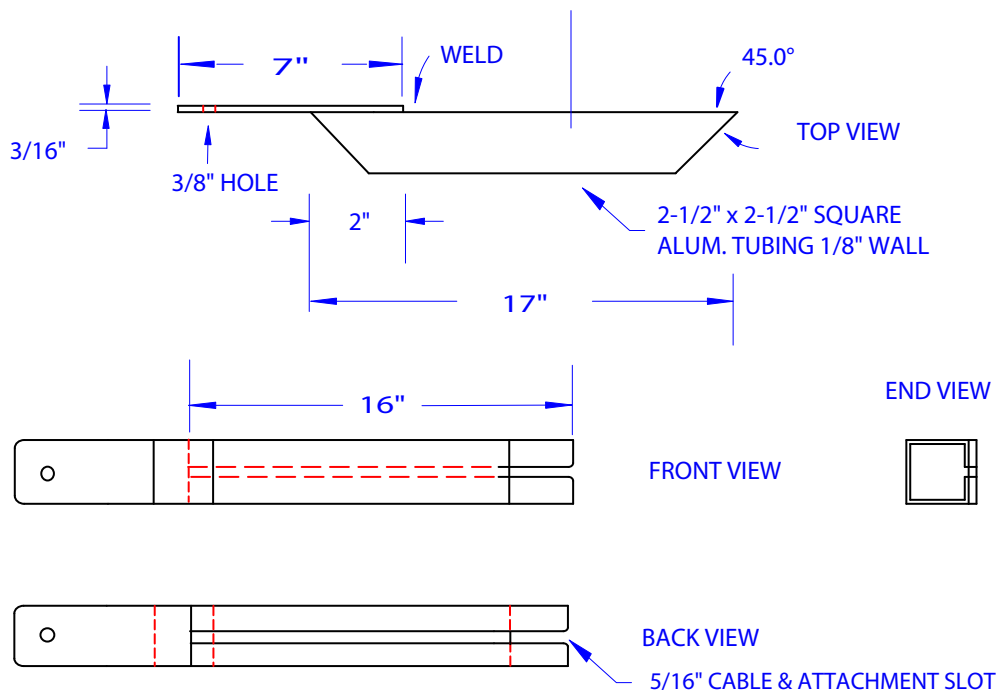


DTS-12 SENSOR HOUSING



NOTES:

- Debur all edges and round corners
- Wall thickness is approximate
- Drawing not to scale
- Use stainless bolt, washers, and aircraft nut for attachment

Redwood Sciences Laboratory
 USDA Forest Service
 Revised: 11/14/2002
 Rand Eads