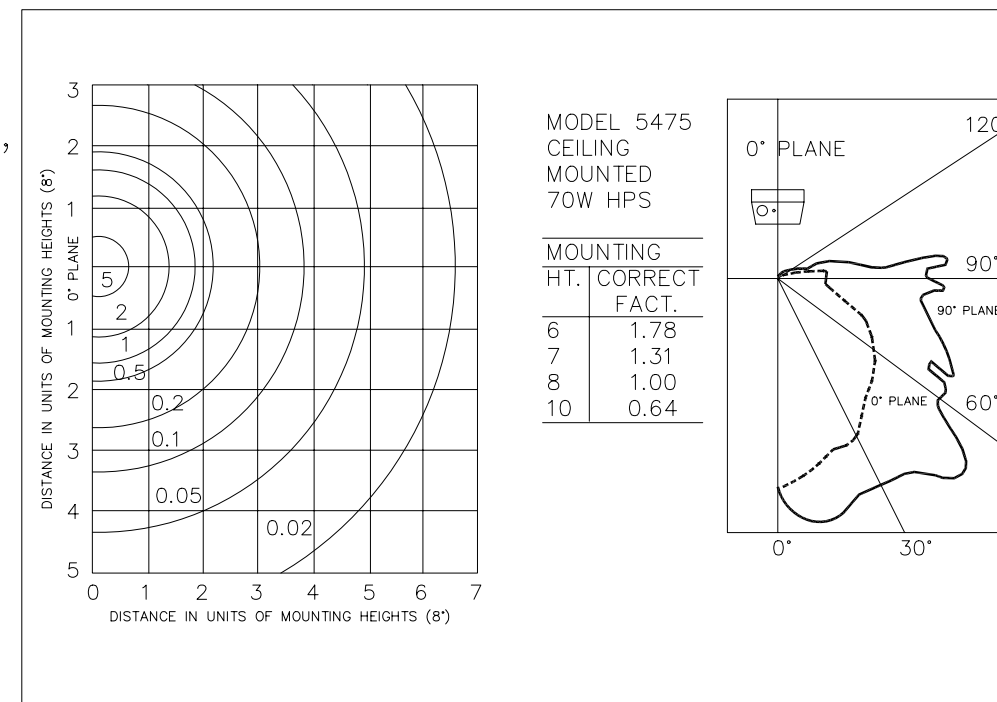
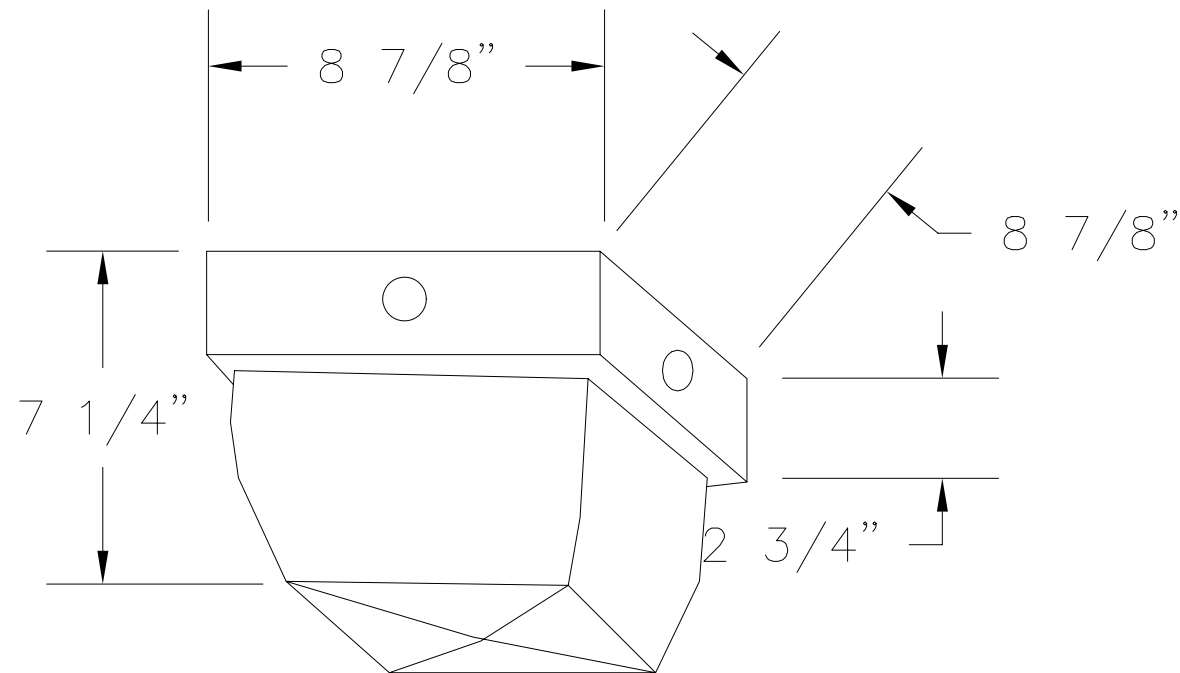


EFFECTIVE CEILING CAVITY REFLECTANCE—PERCENT																		
WALL		80				70				50			30			10		
REFLECTANCE		70	50	30	10	70	50	30	10	50	30	10	50	30	10	50	30	10
ROOM CAVITY RATIO (RCR)	1	61	58	55	53	52	50	48	46	34	33	32	20	19	18	6	6	6
	2	55	50	47	43	47	43	40	37	30	28	26	17	16	15	5	5	5
	3	50	44	40	36	42	38	34	31	26	24	22	15	14	13	5	4	4
	4	46	39	34	30	39	33	29	26	23	20	18	13	12	11	4	4	4
	5	42	35	29	26	36	30	25	22	20	18	16	12	10	9	4	3	3
	6	38	31	26	22	33	26	22	19	18	15	13	11	9	8	3	3	3
	7	35	28	22	19	30	24	19	16	16	14	12	9	8	7	3	3	2
	8	33	25	20	16	28	21	17	14	15	12	10	9	7	6	3	2	2
	9	30	21	18	14	26	19	15	13	13	11	9	8	6	5	3	2	2
	10	28	20	16	13	24	18	14	11	12	10	8	7	6	5	2	2	2



THE LUMINAIRE SHALL CONSIST OF AN 18 GAUGE COLD ROLLED STEEL HOUSING, SEAM WELDED FOR WEATHER PROOF SEAL AND HAVE A BAKED ENAMEL FINISH. DIFFUSER SHALL BE AN INDESTRUCTIBLE CLEAR PRISMATIC LENS AND REFLECTOR SHALL BE ANODIZED ALUMINUM. UNIT SHALL ALSO INCLUDE ONE HIGH PRESSURE SODIUM BALLAST. HARDWARE SHALL INCLUDE TAMPERPROOF SCREW.

BALLAST 70W HPF—VOLTAGE 10—30—88
AS SHOWN ON DRAWINGS HPS—15 70W HPS, LU70/D/MED