

SPECIFICATIONS

- 1.0 NOZZLE CAST ALUMINUM, SANDBLAST FINISH AND CLEAR SEALANT.
- 2.0 MOTOR UNIVERSAL TYPE; 1/6 HP WITH LUBRICANT BALL BEARINGS 2-STAGE BLOWER AND FILTER.
- 3.0 TIMER 30 SECOND TIME TO SHUT OFF AFTER START.
- 4.0 AIR FLOW 50 CFM. APPROX.
- 5.0 POWER 120 VOLTS, 1 ϕ , 60 HZ, 7.5 AMP AC. NO ELECTRIC HEATING COILS.
- 6.0 WEIGHT 16 LBS.

NOTES:

- 1.0 PREPARE WALL WITH 3" X 6 3/4" CUTOUT.
- 1.1 NOTE MAXIMUM AND MINIMUM CLEARANCES REQUIRED TO ENABLE ACTUATING NOZZLE AND HOSE ASSEMBLY TO BE MOUNTED IN WALL.
- 2.0 FLEX HOSE AND 1/2" FLEX CONDUIT WILL PASS THRU A 2 3/8" MIN. OPENING.
- 3.0 FISH FLEX HOSE AND 1/2" FLEX CONDUIT THRU HOLE TO APPROXIMATE LOCATION OF BLOWER ASSEMBLY.
- 4.0 SELECT APPROPRIATE HARDWARE TO SECURE NOZZLE TO WALL.
- 5.0 TERMINATE FLEX HOSE ON PLASTIC NOZZLE PROVIDED ON SIDE OF BLOWER HOUSING.
- 6.0 REMOVE ELECTRICAL ACCESS COVER, ROUTE BLACK, WHITE, AND BLUE WIRES THRU CONNECTION PROVIDED IN SIDE OUTLET BOX. SECURE 1/2" FLEX CONDUIT WITH BOX CONNECTOR PROVIDED.
- 7.0 SECURE BLOWER MOTOR WITH APPROPRIATE HARDWARE. BLOWER MOTOR MAY BE MOUNTED VERTICAL, HORIZONTAL, OR INVERTED AS INDIVIDUAL INSTALLATIONS MAY REQUIRE.
- 8.0 ROUTE EXTERNAL POWER TO THE BLOWER MOTOR ASSY. OUTLET BOX AND TERMINATE ALL WIRING PER WIRING DIAGRAM. SECURE COVER ON OUTLET BOX.
- 9.0 TAMPER PROOF MOUNTING HARDWARE FOR NOZZLE ASSEMBLY NOT SUPPLIED WITH UNIT.

CONTROLLED DRAWING

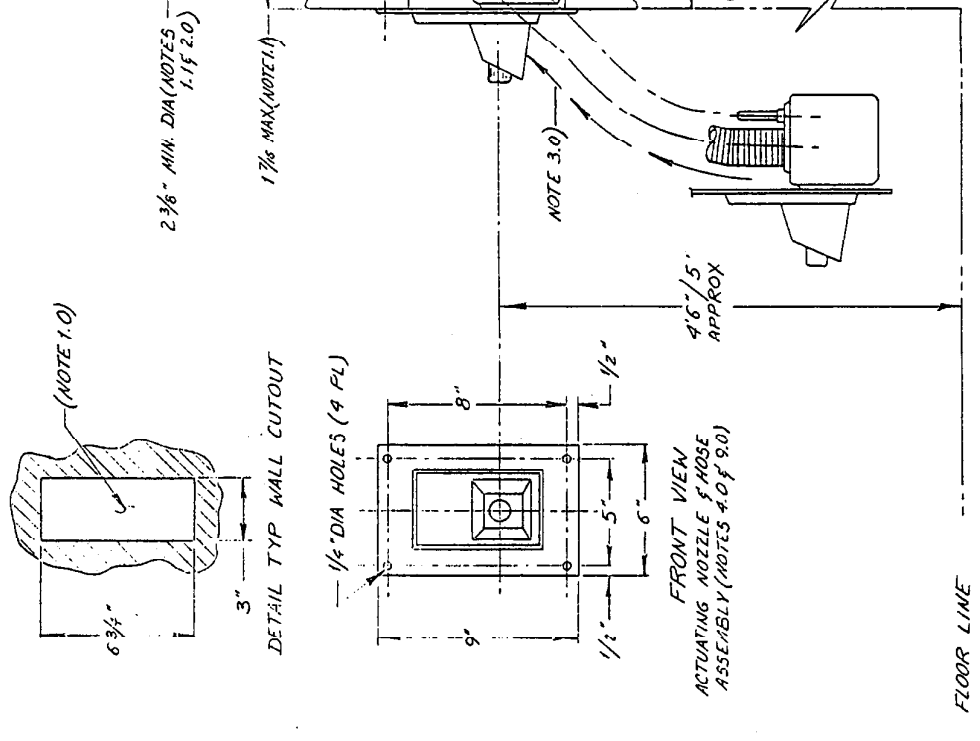
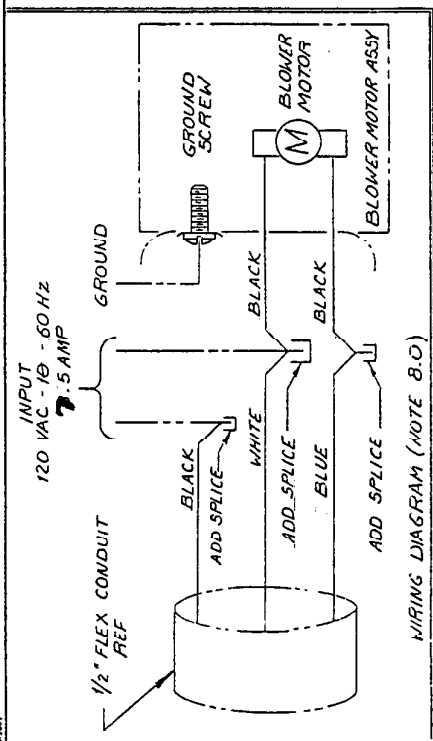
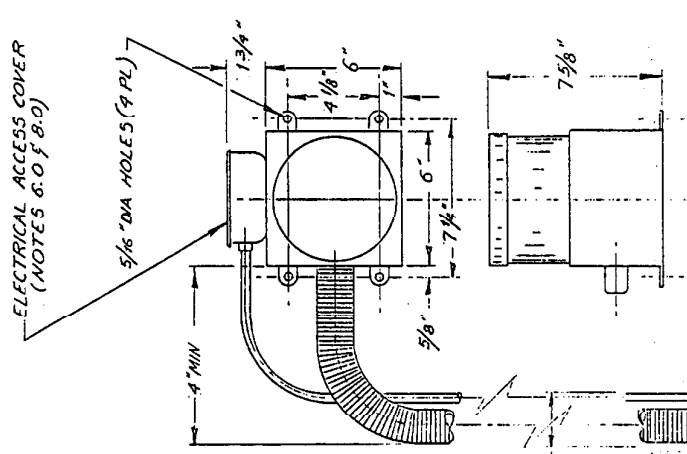
FASTAIRE

REV	DATE	BY	CHKD	DATE
1	5/14/72	BRUGLER	BRUGLER	5/14/72
2	5/14/72	BRUGLER	BRUGLER	5/14/72
3				
4				
5				

FASTAIRE
 FASTAIRE
 FASTAIRE

SCALE 1/4"

UNLESS OTHERWISE SPECIFIED LIMITS ON DIMENSIONS ARE SIGNAL AND 2.00 ANGULAR W. S. W.



REV	DATE	BY	CHKD	DATE
1	5/14/72	BRUGLER	BRUGLER	5/14/72
2	5/14/72	BRUGLER	BRUGLER	5/14/72
3				
4				
5				

CUSTOMER REF MAIL