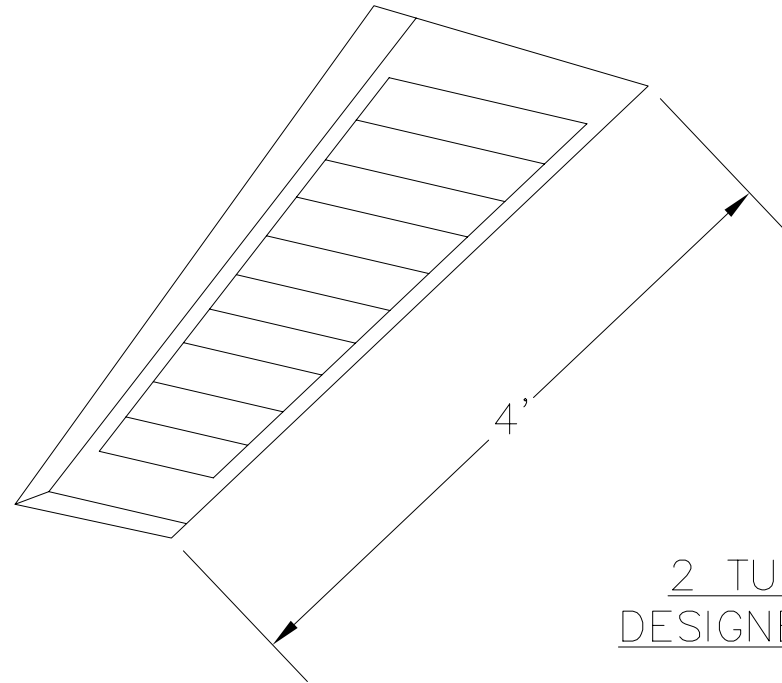


CAT. NO. PD0P1-43-421
 TEST NO. 7724
 DATE: 6/11/82
 EFF. 87.5%
 S/MH RATIO: 1.5

ZONAL SUMMARY

ZONE	LUMENS	LAMP	FIXT
0- 30	739	11.5	13.2
0- 40	1230	19.2	21.9
0- 60	2137	33.4	38.1
0- 90	2332	36.4	41.6
90-180	3271	51.1	58.4
0-180	5603	87.5	100.0



ZONAL CAVITY C.U.

RC RW	80				70				50				0
	70	50	30	10	70	50	30	10	70	50	30	10	0
1	85	81	78	76	77	75	72	70	64	62	60	58	33
2	78	72	67	63	71	66	62	59	58	55	52	50	29
3	72	64	58	54	65	59	54	50	54	49	46	43	25
4	66	57	51	46	60	52	47	43	49	44	40	37	22
5	60	51	44	39	55	47	41	36	45	39	35	32	19
6	55	45	39	34	50	42	36	32	42	35	31	27	17
7	51	41	34	29	46	37	32	27	38	32	27	24	14
8	47	36	30	25	43	34	28	24	35	28	24	21	12
9	43	33	26	22	39	30	24	20	32	25	21	18	11
10	40	30	23	19	37	27	22	18	30	23	19	16	9

FLOOR REFLECTANCE - 20%

2 TUBE PENDALUME LUMINAIRE
DESIGNED FOR PENDANT MOUNTING

THE LUMINAIRE SHALL BE CONSTRUCTED OF HEAVY DUTY ALUMINUM EXTRUSIONS WITH MINIMUM EXPOSED FASTENERS. BALLAST HOUSING TO INTERLOCK WITH BODY CHANNELS AND INCORPORATES CONCEALED RADIATING FINS TO MAINTAIN OPTIMUM BALLAST OPERATING

FIXTURE SHALL ALSO BE FINISHED WITH HIGH GLOSS BAKED ENAMEL. PARABOLUME LOUVER IS FIXED IN PLACE.

THE COEFFICIENT OF UTILIZATION SHALL NOT BE LESS THAN .35 BASED ON A CEILING REFLECTANCE OF 50%, A WALL REFLECTANCE OF 30%, A FLOOR REFLECTANCE OF 20% AND A ROOM CAVITY RATIO OF 5. EACH UNIT SHALL BE COMPLETELY WIRED AND EQUIPPED WITH ALL AUXILIARIES. BALLAST SHALL BE HPF, ETL 430 MA WITH U.L. AND C.B.M. LABELS.

USE COLUMBIA CAT. NO. PDOPI-43-421 OR APPROVED EQUAL.

LAMP
 BALLAST

F-29
 10-25-88

2-4-FOOT-F40 T12 CW
 RAPID START