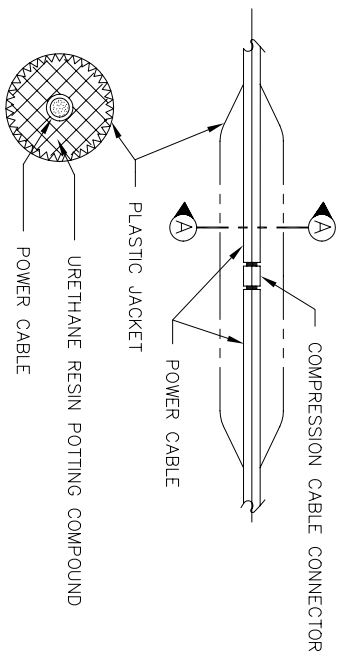
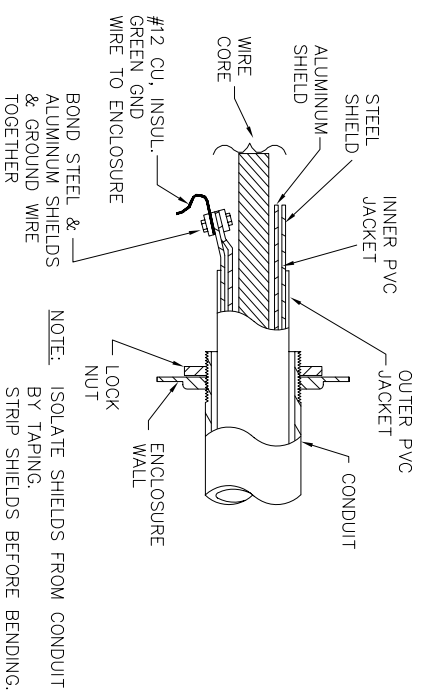


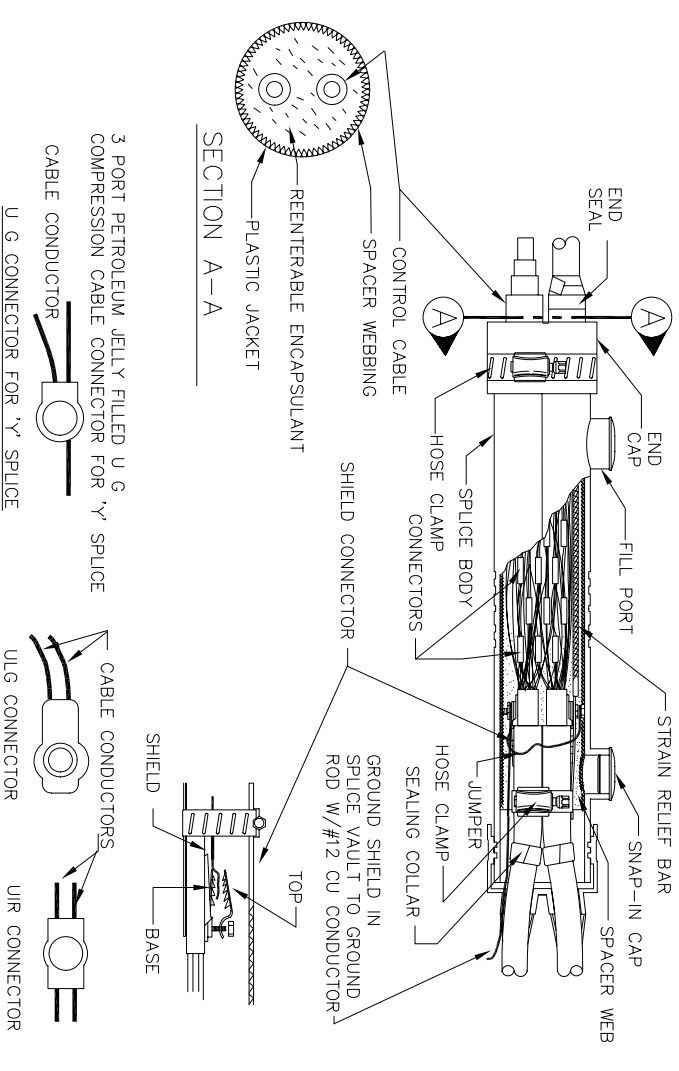
POWER CABLE TAP SPLICE DETAIL
NO SCALE ED000007 20 SEP 85



POWER CABLE SPLICE DETAIL
NO SCALE ED000010 19 SEP 85



CONTROL CABLE GROUNDING
NO SCALE ED000008 19 SEP 85



CONTROL CABLE SPLICE DETAIL
NO SCALE ED000009 25 SEP 85

E0092400
4-14-86
REV.10-1-87

U.S. DEPARTMENT OF AGRICULTURE
FOREST SERVICE

THE PACIFIC NORTHWEST REGION
DRAWN _____ DATE _____
DESIGNED _____ DATE _____
CHECKED _____ DATE _____
REVIEWED _____ DATE _____

ED000007-ED000010

SHT. OF