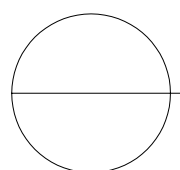
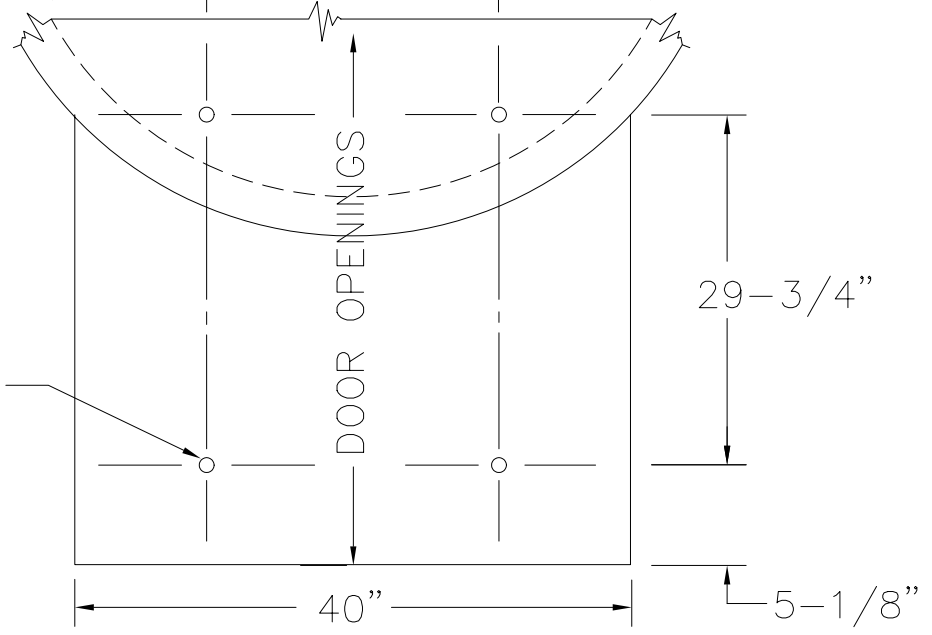
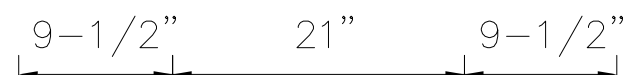


PAD RECOMMENDATION



TRANSCLOSURE DETAILS