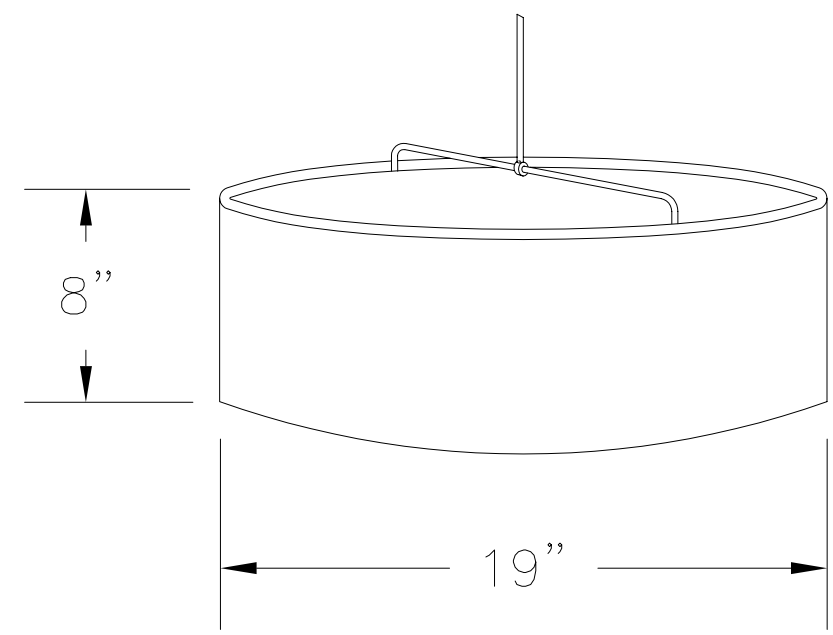


SYMMETRIC TYPE V



		EFFECTIVE CEILING CAVITY REFLECTANCE—PERCENT																
WALL		80				70				50			30			10		
REFLECTANCE		70	50	30	10	70	50	30	10	50	30	10	50	30	10	50	30	10
ROOM CAVITY RATIO (RCR)	1	61	58	55	53	52	50	48	46	34	33	32	20	19	18	6	6	6
	2	55	50	47	43	47	43	40	37	30	28	26	17	16	15	5	5	5
	3	50	44	40	36	42	38	34	31	26	24	22	15	14	13	5	4	4
	4	46	39	34	30	39	33	29	26	23	20	18	13	12	11	4	4	4
	5	42	35	29	26	36	30	25	22	20	18	16	12	10	9	4	3	3
	6	38	31	26	22	33	26	22	19	18	15	13	11	9	8	3	3	3
	7	35	28	22	19	30	24	19	16	16	14	12	9	8	7	3	3	2
	8	33	25	20	16	28	21	17	14	15	12	10	9	7	6	3	2	2
	9	30	21	18	14	26	19	15	13	13	11	9	8	6	5	3	2	2
	10	28	20	16	13	24	18	14	11	12	10	8	7	6	5	2	2	2

PENDANT MOUNT SYMMETRIC METAL HOUSING HALIDE LUMINAIRE WITH REMOTE BALLAST

METAL HALIDE FIXTURE TO HAVE REMOTE HIGH POWER FACTOR BALLAST AND LUMINAIRE HOUSING TO BE ONE-PIECE SEAMLESS SPUN STEEL WITH SEALED OPTICAL CHAMBER. VOLTAGE TO BE AS SHOWN ON DRAWINGS. THE FIXTURE LENS TO BE THERMAL AND IMPACT RESISTANT GLASS, REFLECTOR TO BE HYDRO-FORMED ALUMINUM, GASKET WILL BE MADE OF OF EDM MATERIAL AND PAINT TO BE ELECTROSTATICALLY APPLIED BAKED ACRYLIC FINISH. EACH UNIT SHALL BE COMPLETELY WIRED AND EQUIPPED WITH ALL EQUIPMENT NEEDED FOR MOUNTING AND OPERATION.

THE COEFFICIENT OF UTILIZATION SHALL NOT BE LESS THAN .40 BASED ON A CEILING REFLECTANCE OF 70 PERCENT, WALL REFLECTANCE OF 30 PERCENT, FLOOR REFLECTANCE 20 PERCENT, AND A ROOM CAVITY RATIO OF 2.

FIXTURE SUPPORT STEM TO BE STEEL 1/2" OD AND CHROME-PLATED. FIXTURE TO BE STERNER/INLITE SERIES NO. AT 60 OR APPROVED EQUAL. VOLTAGE AS SHOWN ON DRAWINGS.

- LAMP 10-24-88 1-400 WATT METAL HALIDE
- BALLAST MH-10 400 WATT M.H., H.P.F.