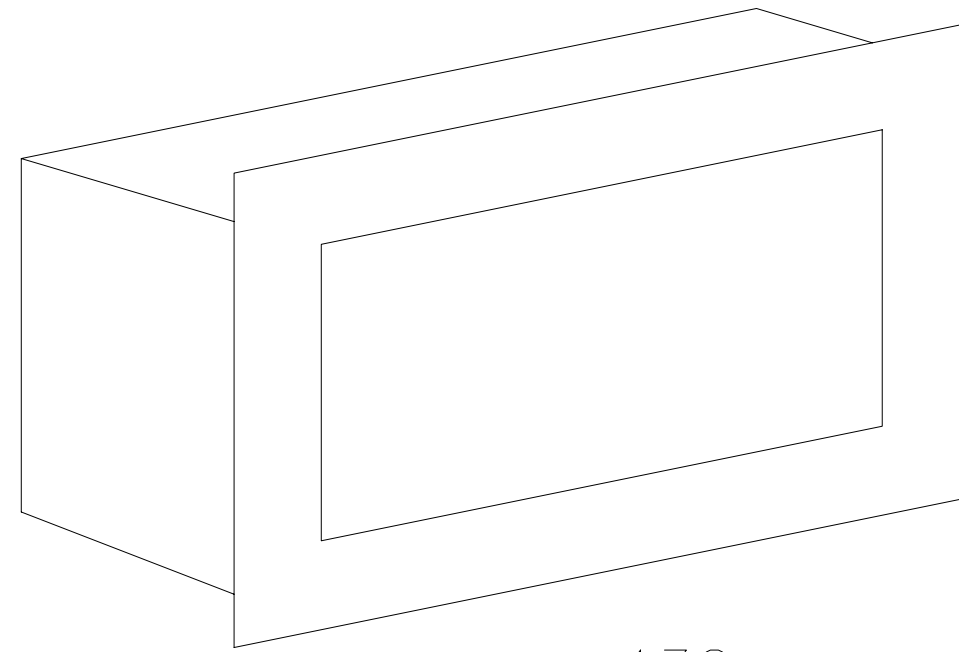
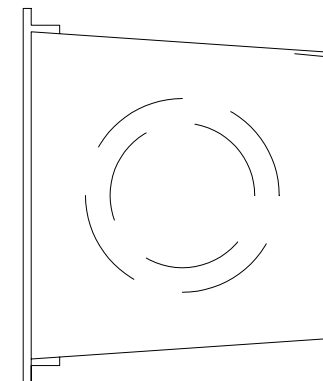
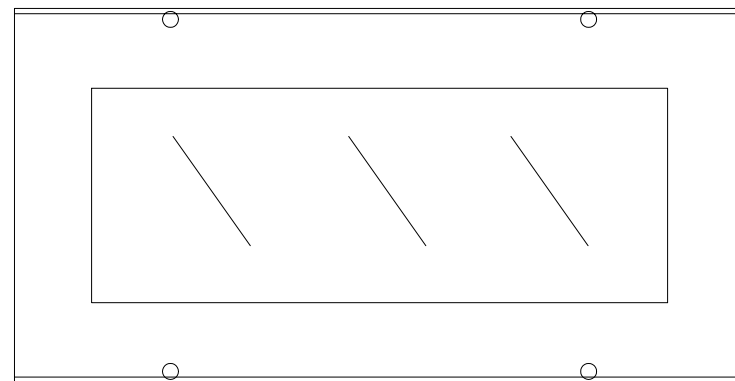


(LOUVER OPTIONAL)



432



STEP LIGHT

HEAVY DUTY CAST ALUMINUM WITH GASKET LOUVERED GUARD. FIXTURE HAS TEMPERED GLASS DIFFUSER AND 3/4" NPT HUB IN BOTH ENDS FOR FLEXIBLE INSTALLATION.

FIXTURE SHALL BE WEATHER RESISTANT AND 120V A.C. WITH ONE 100W MAX LAMP. USE HUBBEL CATALOG NUMBER 432 OR APPROVED EQUAL.